



FLUID METERING, INC.

DISPENSERS & METERING PUMPS

(STF1-9) Valveless 400 μ L Dispensing Pump

Precision Fluid Control for Medical and Analytical Instrumentation

NEW PRODUCT



- > **One Moving Part**
- > **Ceramic Internals**
- > **Valveless Design**
- > **0.5% Precision**

Features

- Compact Size - Ideal for OEM Instrumentation
- Nine (9) Stepper Drive Combinations provide a combined dispense range of 200 to 400 μ L and continuous metering up to 400 mL/min.
- Adjustable Link provides $\pm 25 \mu$ L displacement adjustment for each drive combination
- Four (4) Pump Head configurations available for maximum chemical compatibility, as well as to accommodate both low volume dispensing and high flow metering.

(STF1-9) Valveless 400 μL Dispensing Pump

Pump Specifications

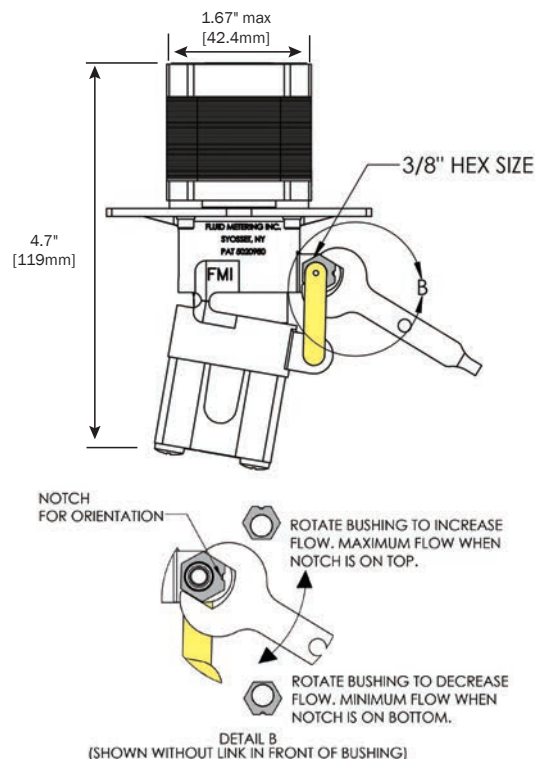
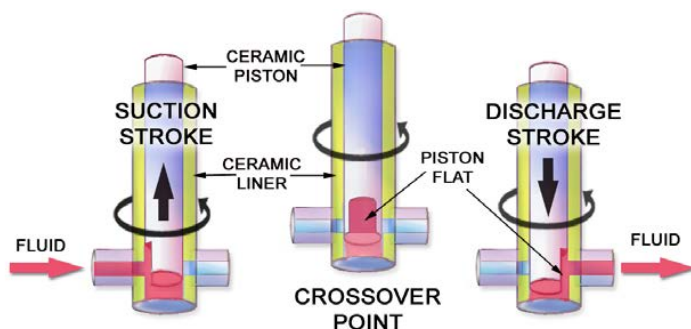
- **Dimensions:**
4.7" x 1.67" x 1.67" (119 x 42.4 x 42.4 mm)
- **Shipping Weight:**
0.85 lb. (0.39 kg) approx.
- **Flow Rate Adjustment:**
 $\pm 25 \mu\text{L} / \text{rev}$ from nominal dispense volume
- **Pump Pressure Rating:**
15 psig (1.03 Bar) Max
- **Motor Speed:**
Motor speed set to 1000 rpm
- **Motor Direction:**
Motor direction set to clockwise rotation

Motor / Driver Specifications

- **Rated Current:**
2.0 amps / phase
- **Motor Frame:**
NEMA size 17
- **Step Angle:**
 1.8° Full Step
- **Operating Temperature:**
 -20°C to 50°C
- **Insulation Class:**
B

FMI Cerampump[®] Valveless Metering

The valveless pumping/dispensing function is accomplished by the synchronous rotation and reciprocation of the ceramic piston in the precisely mated liner. One complete revolution is required for each suction/discharge cycle.



9 Pump Drives and 4 Pump Heads Available

Pump Drive P/N	9mm Nominal Dispense Volume ($\mu\text{L}/\text{rev}$)
STF1	200
STF2	225
STF3	250
STF4	275
STF5	300
STF6	325
STF7	350
STF8	375
STF9	400

Pump Head P/N	Fluid Path Materials
H9CKC	Ceramic (Alumina) PVDF
H9CKCLF	Ceramic (Alumina) PVDF
H9CTC	Ceramic (Alumina) ETFE / PTFE
H9CTCLF	Ceramic (Alumina) ETFE

Fluid Metering, Inc. is an ISO 9001:2015 facility. Most products are RoHS compliant.

