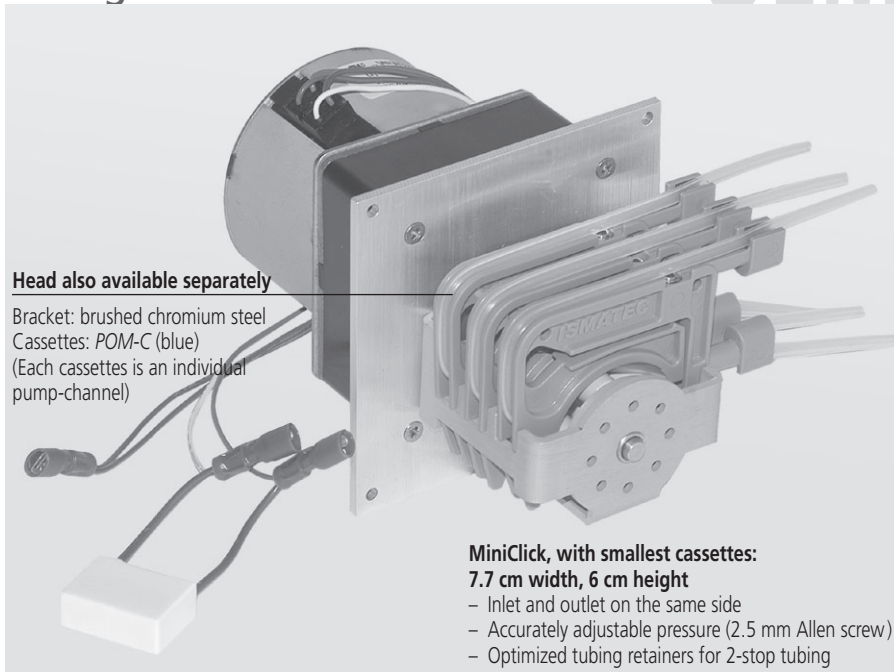


Synchronous motor with gear box

OEM



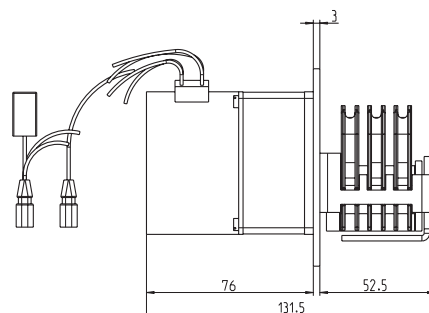
Head also available separately

Bracket: brushed chromium steel
Cassettes: POM-C (blue)
(Each cassettes is an individual pump-channel)

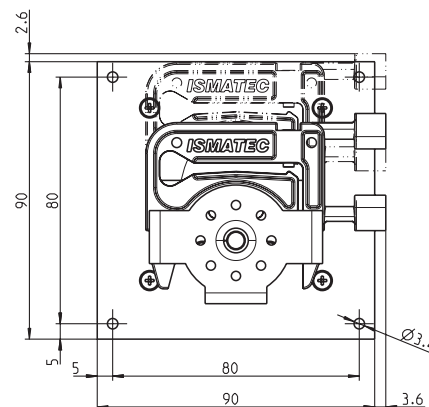
MiniClick, with smallest cassettes:

- 7.7 cm width, 6 cm height
- Inlet and outlet on the same side
- Accurately adjustable pressure (2.5 mm Allen screw)
- Optimized tubing retainers for 2-stop tubing

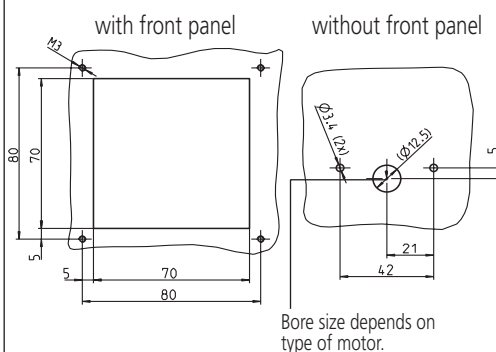
Side view (mm)



Front view (mm)

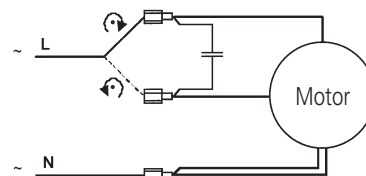


Mounting cut-out (mm)



Bore size depends on type of motor.

Diagram and electrical connections



The polarity of L and N has no effect on the rotation direction.

Technical specifications

Pump model	MiniClick3-E/5 Synchro
Motor type	Synchronous motor with reversible rotation
Rotation speed	fixed, available with: 6 8 10 12 20 40 60 (rpm)
Flow rates	0.008 – 15.6 ml/min
Power consumption	8 W
Channels	1–3
Pump rollers	5
Weight	0.9 kg
Tubing type	2- or 3-stop collared tubing
Tubing i.d.	0.13–2.79 mm
Cassettes	MiniClick POM-C (blue) ONr.: IS 10365 (Spare part)
<p>➔ Available on request: MiniClick-E with DC motor with optical encoder and gear box. Speed: 1 – 100 rpm Flow rate: 0.001–26 ml/min</p>	

Flow rates¹⁾

Tubing i.d. mm	ml per revolution	Tubing i.d. mm	ml per revolution
0.13	0.0013	1.14	0.060
0.19	0.0023	1.22	0.068
0.25	0.0036	1.30	0.077
0.38	0.0076	1.42	0.090
0.44	0.010	1.52	0.10
0.51	0.013	1.65	0.12
0.57	0.016	1.75	0.13
0.64	0.020	1.85	0.14
0.76	0.028	2.06	0.17
0.89	0.038	2.29	0.20
0.95	0.043	2.54	0.23
1.02	0.049	2.79	0.26
1.09	0.056		

¹⁾ Water, Tygon® tubing, without differential pressure

➔ Calculation example for flow rate
rpm x ml per revolution = ml/min
60 x 0.26 = 15.6

Ask for the Pump Tubing Selection Guide

For highly aggressive solvents:
2-stop tubing Tygon® MHL

Ordering information

Voltage and frequency	Type MiniClick3-E/5 Synchro						
	Revolutions per minute (rpm)						
	6	8	10	12	20	40	60
24 V _{AC} /50 Hz					ISM 1121		
24 V _{AC} /60 Hz							
115 V _{AC} /50 Hz*							
115 V _{AC} /60 Hz					ISM 1118		
230 V _{AC} /50 Hz					ISM 1115		ISM 1117
230 V _{AC} /60 Hz*							
	*on request						

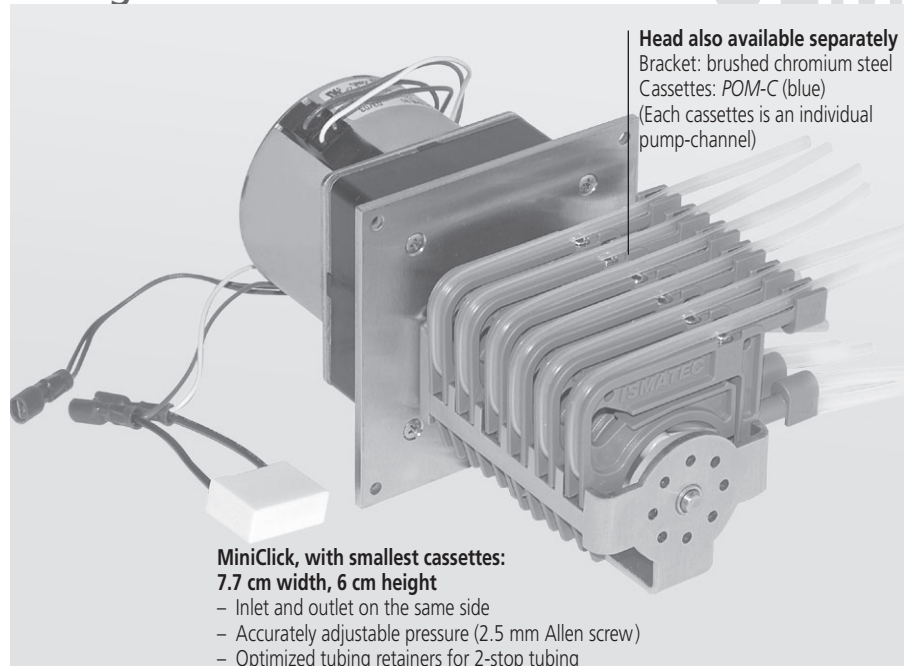
Data sheet

02.0.1

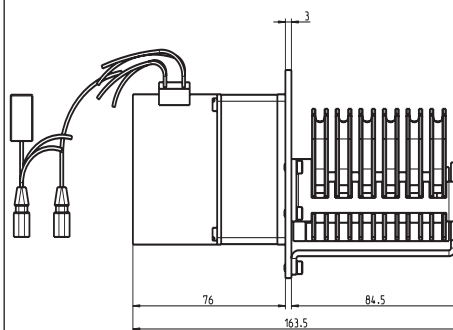
30.09.05

Synchronous motor with gear box

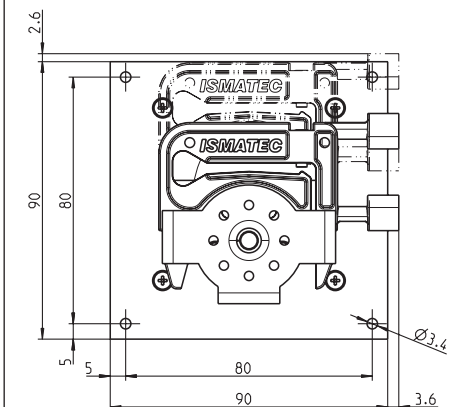
OEM



Side view (mm)



Front view (mm)



Mounting cut-out (mm)

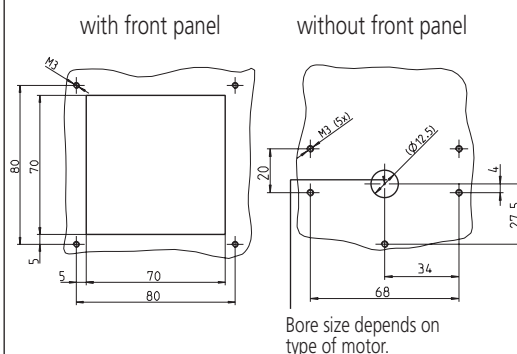
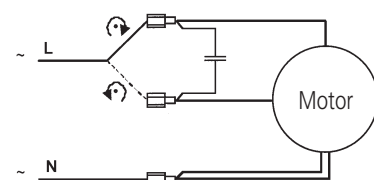


Diagram and electrical connections



The polarity of L and N has no effect on the rotation direction.

Technical specifications

Pump model	MiniClick6-E/5 Synchro
Motor type	Synchronous motor with reversible rotation
Rotation speed	fixed, available with: 6 8 10 12 20 (rpm)
Flow rates	0.008 – 5.2 ml/min
Power consumption	8 W
Channels	1–6
Pump rollers	5
Weight	1.2 kg
Tubing type	2-stop collared tubing
Tubing i.d.	0.13–2.79 mm
Cassettes	MiniClick POM-C (blue) ONr.: IS 10365 (Spare part)

- ➔ Available also with DC motor with optical encoder and gear box
- Speed: 1 – 100 rpm
- Flow rate: 0.001–26 ml/min
- ➔ Ask for the separate data sheet

Flow rates¹⁾

Tubing i.d. mm	ml per revolution	Tubing i.d. mm	ml per revolution
0.13	0.0013	1.14	0.060
0.19	0.0023	1.22	0.068
0.25	0.0036	1.30	0.077
0.38	0.0076	1.42	0.090
0.44	0.010	1.52	0.10
0.51	0.013	1.65	0.12
0.57	0.016	1.75	0.13
0.64	0.020	1.85	0.14
0.76	0.028	2.06	0.17
0.89	0.038	2.29	0.20
0.95	0.043	2.54	0.23
1.02	0.049	2.79	0.26
1.09	0.056		

¹⁾ Water, Tygon® tubing, without differential pressure

➔ Calculation example for flow rate
 rpm x ml per revolution = ml/min
 20 x 0.26 = 5.2

Ask for the Pump Tubing Selection Guide

For highly aggressive solvents:
 2-stop tubing Tygon® MHLL

Ordering information

Voltage and frequency	Type MiniClick6-E/5 Synchro					
	Revolutions per minute (rpm)	6	8	10	12	20
24 V _{AC} /50 Hz						ISM 1130
24 V _{AC} /60 Hz						
115 V _{AC} /50 Hz*						
115 V _{AC} /60 Hz						ISM 1127
230 V _{AC} /50 Hz						ISM 1124
230 V _{AC} /60 Hz*						
	*on request					

Data sheet

02.0.1
30.09.05