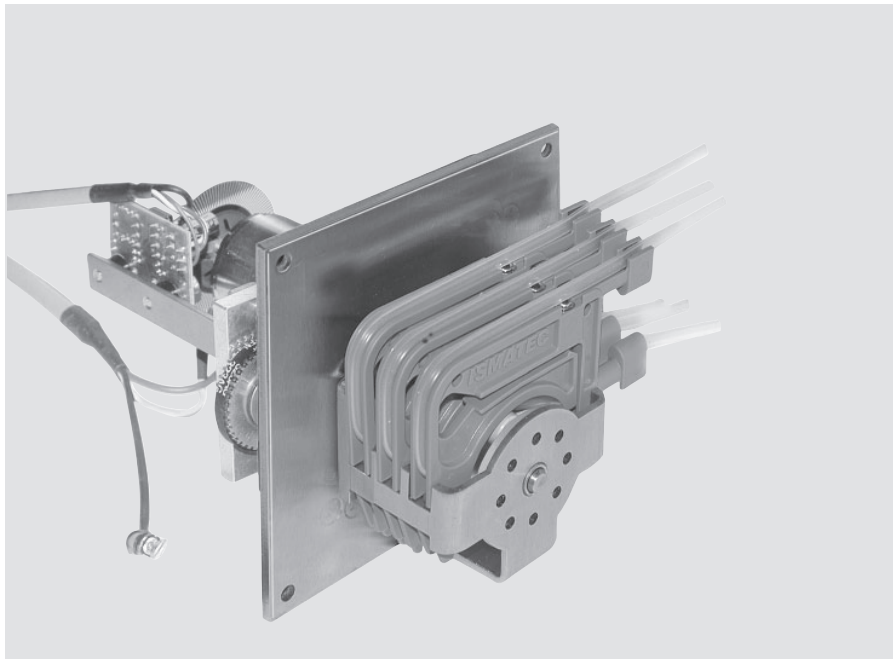
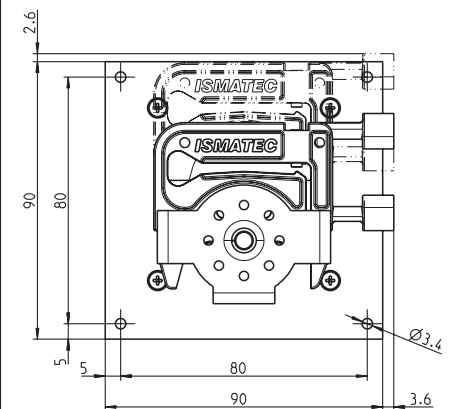
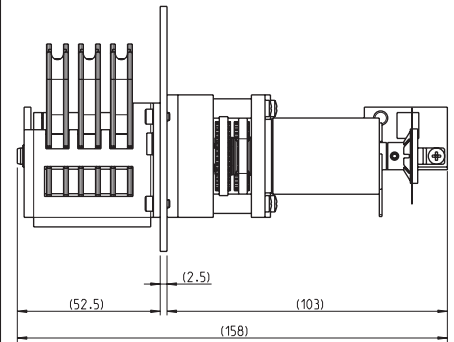


DC motor with optical encoder and gear box

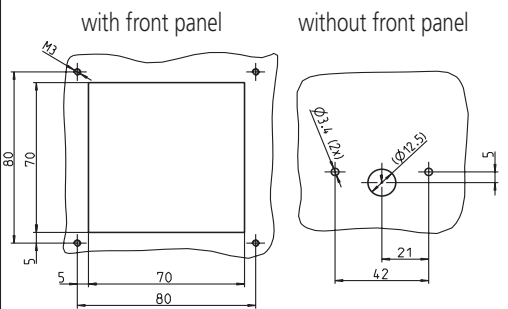
OEM



Side view (mm)

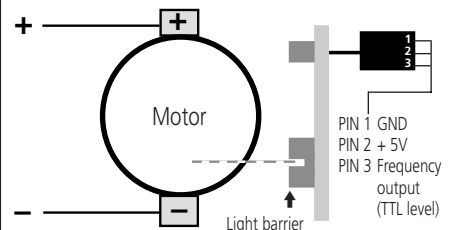


Mounting cut-out (mm)



Größe der Bohrung je nach Motortyp

Diagram and electrical connections



* Please note

Specifications valid for the following ISMATEC® control units:
 a) REGLO-E Analog - see data sheet 08.1
 b) REGLO-E Digital - see data sheet 08.2

Pump model	MiniClick3_-E/5 DC
Motor type	DC motor with encoder
Gear ratio	25:1
Rotation speed*	2–100 rpm ^{a)} 1–100 rpm ^{b)}
Flow rates*	0.001–26 ml/min
Motor control*	optional control unit
Power consumption	max. 10 W
Optical encoder	120 impulses/motor rev.
Channels	3
Pump rollers	5
Weight	0.700 kg
Tubing type	2- or 3-stop collared tubing
Tubing i.d.	0.13–2.79 mm
Cassettes	MiniClick POM-C

Cassettes (Spare part)
IS 10365 MiniClick POM-C

Flow rates¹⁾

Tubing i.d. mm	ml per revolution	Tubing i.d. mm	ml per revolution
0.13	0.0013	1.14	0.060
0.19	0.0023	1.22	0.068
0.25	0.0036	1.30	0.077
0.38	0.0076	1.42	0.090
0.44	0.010	1.52	0.10
0.51	0.013	1.65	0.12
0.57	0.016	1.75	0.13
0.64	0.020	1.85	0.14
0.76	0.028	2.06	0.17
0.89	0.038	2.29	0.20
0.95	0.043	2.54	0.23
1.02	0.049	2.79	0.26
1.09	0.056		

¹⁾ Water, Tygon® tubing, without differential pressure

→ Calculation example for flow rate
 rpm x ml per revolution = ml/min
 100 x 0.26 = 26

Ask for the Pump Tubing Selection Guide

For highly aggressive solvents:
2-stop tubing Tygon® MHLL

Ordering information

Nominal voltage	Type MiniClick3_-E/5 DC	Order No.
	12 V _{DC}	
24 V _{DC}		ISM 1133

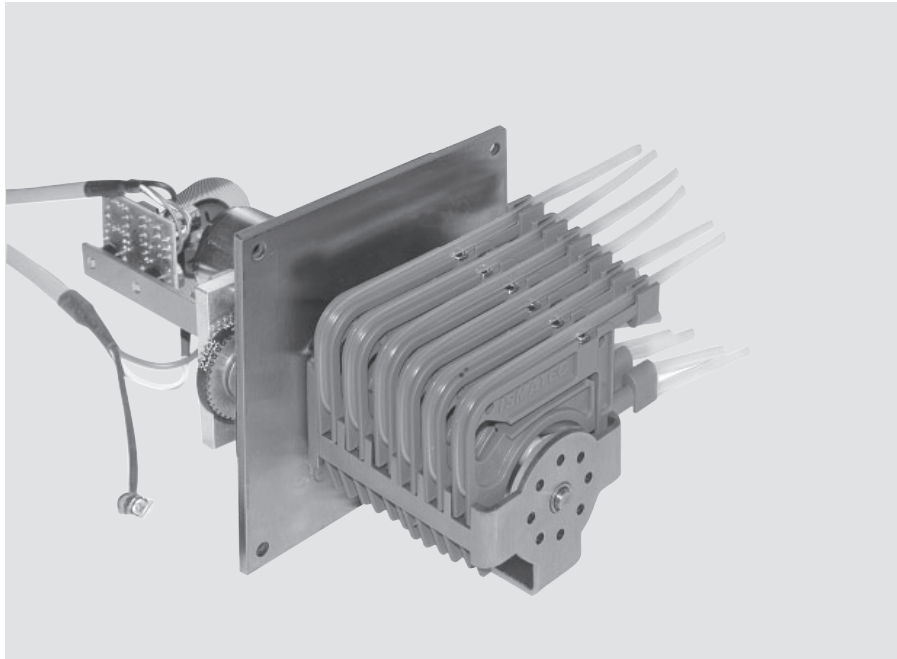
Data sheet
02.3.2
30.09.05

6
channels5
rollers

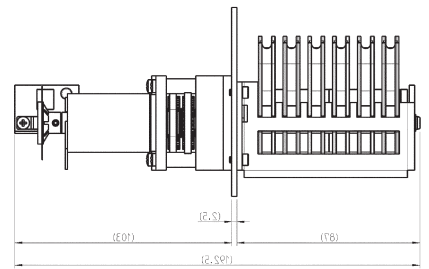
ca. 0.001–26 ml/min

DC motor with optical encoder and gear box

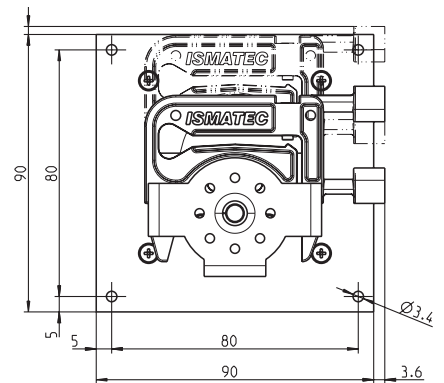
OEM



Side view (mm)



Front view (mm)



Mounting cut-out (mm)

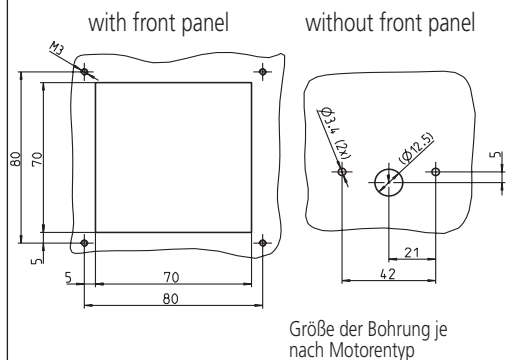
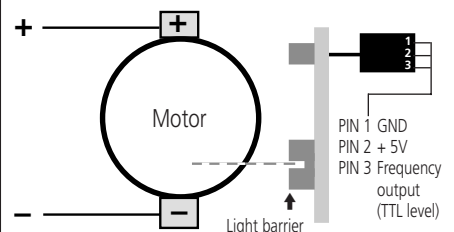


Diagram and electrical connections



Please note

Specifications valid for the following ISMATEC® control units:

- a) REGLO-E Analog - see data sheet 08.1
- b) REGLO-E Digital - see data sheet 08.2

Technical specifications

Pump model	MiniClick6_-E/5 DC
Motor type	DC motor with encoder
Gear ratio	25:1
Rotation speed*	2–100 rpm ^{a)} 1–100 rpm ^{b)}
Flow rates*	0.001–26 ml/min
Motor control*	optional control unit
Power consumption	max. 10 W
Optical encoder	120 impulses/motor rev.
Channels	5
Pump rollers	6
Weight	0.860 kg
Tubing type	2-stop collared tubing
Tubing i.d.	0.13–2.79 mm
Cassettes	MiniClick POM-C

Cassettes (Spare part)

IS 10365 MiniClick POM-C

Flow rates¹⁾

Tubing i.d. mm	ml per revolution	Tubing i.d. mm	ml per revolution
0.13	0.0013	1.14	0.060
0.19	0.0023	1.22	0.068
0.25	0.0036	1.30	0.077
0.38	0.0076	1.42	0.090
0.44	0.010	1.52	0.10
0.51	0.013	1.65	0.12
0.57	0.016	1.75	0.13
0.64	0.020	1.85	0.14
0.76	0.028	2.06	0.17
0.89	0.038	2.29	0.20
0.95	0.043	2.54	0.23
1.02	0.049	2.79	0.26
1.09	0.056		

¹⁾ Water, Tygon® tubing, without differential pressure

→ Calculation example for flow rate
rpm x ml per revolution = ml/min
100 x 0.26 = 26

Ask for the Pump Tubing Selection Guide

For highly aggressive solvents:
2-stop tubing Tygon® MHLL

Ordering information

Data sheet

02.3.3

30.09.05

Nominal voltage	Type MiniClick6_-E/5 DC	Order No.
12 V _{DC}		ISM 1126
24 V _{DC}		ISM 1129