

Iso-Prep™ Guard

- ▶ 21.2 mm and 30 mm ID column protection
- ▶ Improves plate count and symmetry
- ▶ New anti-rotation feature aids guard holder assembly



Iso-Prep Guard is a guard cartridge system designed to protect valuable prep columns. It offers superior column protection for adsorptive samples and a proven sample distribution mechanism via a precision machined holder. Iso-Prep Guard is ideal for protecting prep columns with no degradation of peak shape or plate count.

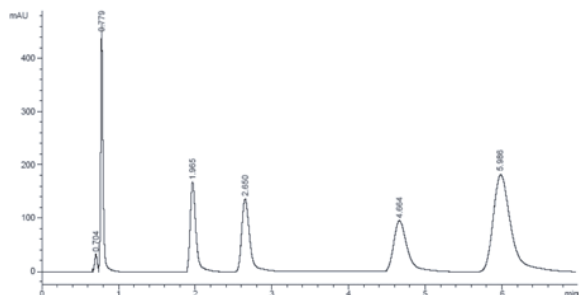
The high-performance guard protects columns in two ways. First, it acts as a filter, trapping particles in the frits. Second, when the guard cartridge is packed with the same material as the prep column, it removes compounds that irreversibly adsorb to the packing material.

APPLICATION NOTE

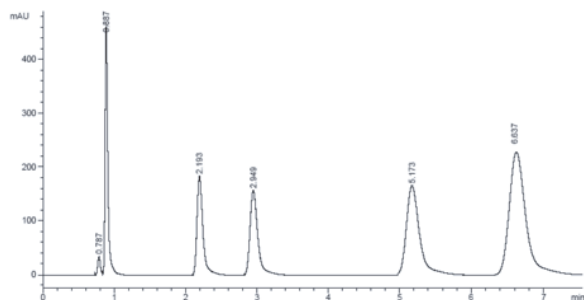
Low Pressure Drop

- ▶ 60:40 Acetonitrile:Water
- ▶ 50 mL/min
- ▶ Kromasil 10 μm C18
- ▶ Backpressure: 100 psi

10 μm C18 100 x 21.2 mm, 60:40 Acetonitrile:Water, 20 mL/min



Without Iso-Prep Guard — 38,150 Plates/M 1.24 As



With Iso-Prep Guard — 41,920 Plates/M 1.20 As

Unpacked Semi-Prep Guard Column

- ▶ 10 mm ID column protection
- ▶ Convenient cartridge system
- ▶ Easy to pack

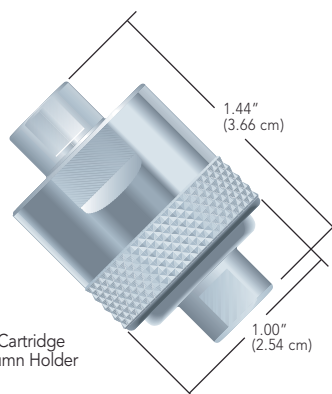
The internal volume of this Upchurch Scientific® semi-prep guard column is just 780 μL , which only requires approximately 1.50 g of packing material — ideally the same material used in your semi-prep column. The C-1000 Holder will hold to high pressures, and is specially treated to prevent galling.* Use standard 10-32 coned fittings (not included) to connect your 1/16" OD tubing.



C-1000 Semi-Prep Guard Column

Fittings, tubing and column shown are not included.

*Galling is a form of "cold welding." When two fittings manufactured from the same metal are wrench-tightened too tightly, they can "weld" together, making it virtually impossible to separate the two components.



C-1000
Semi-Prep Cartridge
Guard Column Holder

Part No.	Description
ISO-PREP GUARD ORDERING INFORMATION	
9197-P	Iso-Prep Guard Holder
9197-P-AR	Iso-Prep Guard Holder, 21.2mm, Anti Rotation
9197-20	Iso-Prep Guard Cartridge, 21.2 mm x 1 cm, 1 Frit
8056-MOD	Iso-Prep Guard, 21.2 mm Frit, 2 μm
9197-S	Iso-Prep Guard Finishing Tool
9196-P	Iso-Prep Guard Holder, 30 mm
9196-P-AR	Iso-Prep Guard Holder, 30 mm, Anti Rotation
9196-20	Iso-Prep Guard Cartridge, 30 mm x 1 cm, 2 μm Frit
8083-MOD	Iso-Prep Guard, 30 mm Frit, 2 μm
9196-S	Iso-Prep Guard Finishing Tool, 30 mm
SEMI-PREP GUARD COLUMN	
10 mm ID x 1 cm	
C-1000	Semi-Prep Cartridge Guard Column Holder
C-1035	Semi-Prep Cartridge
REPLACEABLE CARTRIDGE GUARD COLUMN FRIT CAPS	
C-1030	Threaded Frit Cap with 2 μm Stainless Steel Frit
C-1031	Threaded Frit Cap with 2 μm Titanium Frit