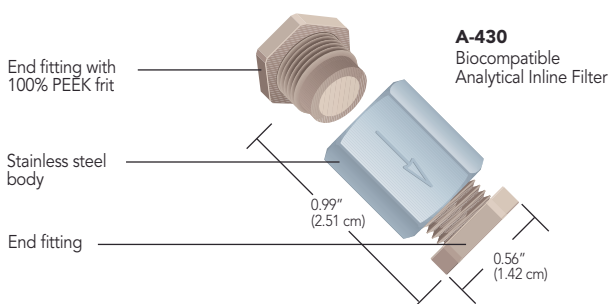


## Biocompatible Standard Inline Filters

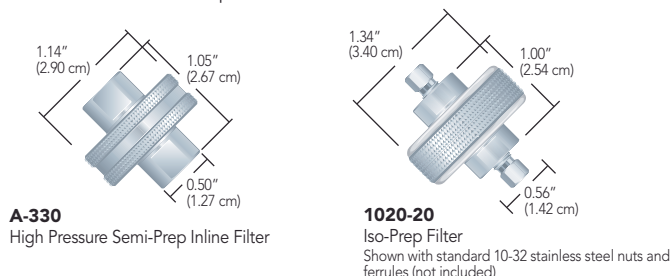
- ▶ 0.5 µm and 2 µm versions available
- ▶ Features 100% PEEK flow path

Upchurch Scientific® A-430 and A-431 Inline Filters consist of a stainless steel body and two PEEK end fittings. Maximum recommended flow rate is 25 mL/min for the A-430 Filter and 10 mL/min for the A-431 Filter. And, you get the added benefit of biocompatibility since all wetted surfaces are PEEK. When you need to replace the frit, simply dispose of the end fitting that contains the frit and replace it with a new one.



## Semi-Prep Inline Filters

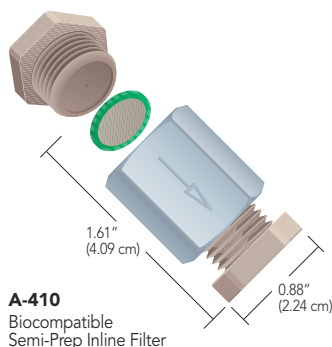
- ▶ Designed for high-flow applications
- ▶ Economical protection for larger columns and injections
- ▶ SFC and HPLC compatible



## Biocompatible Semi-Prep Inline Filters

- ▶ Versions for 1/16", 1/8", 3/16", 1/4", and 5/16" OD tubing
- ▶ 100% PEEK flow path

Biocompatible Semi-Prep Filters consist of a stainless steel body, two PEEK end fittings, and a separate PEEK frit. These filters are ideal for many higher flow analytical, semi-prep and preparative applications. Best of all, if the filter becomes clogged, simply unscrew the assembly, remove the frit and replace it. The frits are interchangeable.



Part No.	Description	Porosity	Threads	Includes	Swept Volume*	Pressure Rating	Qty.
<b>BIOCOMPATIBLE INLINE FILTERS</b>							
★ A-430	Biocompatible Filter Assembly	2 µm	10-32 Coned	(1) A-429	7.1 µL	6,000 psi (414 bar)	ea.
A-431	Biocompatible Filter Assembly	0.5 µm	10-32 Coned	(1) A-428	5.9 µL	6,000 psi (414 bar)	ea.
A-428x	PEEK Filter End Fittings, Black PEEK body, 10-pk	0.5 µm	10-32 Coned	—	5.7 µL	N/A	10-pk
★ A-429x	PEEK Filter End Fittings, Natural PEEK body, 10-pk	2 µm	10-32 Coned	—	6.9 µL	N/A	10-pk
<b>SEMI-PREP INLINE FILTERS</b>							
★ A-330	Semi-Prep Filter Assembly	10 µm	10-32 Coned	(1) A-331	223 µL	7,500 psi (517 bar)	ea.
A-360	Semi-Prep Filter Assembly	10 µm	5/16-24 Flat Bottom	(1) A-331	235 µL	3,500 psi (207 bar)	ea.
A-331x	Stainless Steel Frits, Natural ETFE ring	10 µm	N/A	N/A	142 µL	N/A	10-pk
A-332x	Stainless Steel Frits, Natural ETFE ring	2 µm	N/A	N/A	122 µL	N/A	10-pk
A-337x	Stainless Steel Frits, Natural ETFE ring	20 µm	N/A	N/A	152 µL	N/A	10-pk
<b>ISO-PREP FILTERS</b>							
1020-05	21.2 mm Filter Holder	0.5 µm	10-32 Coned	(1) 7031-05	203 µL	8,000 psi (552 bar)	ea.
1020-20	21.2 mm Filter Holder	2 µm	10-32 Coned	(1) 7031-20	196 µL	8,000 psi (552 bar)	ea.
7031-05	21.2 mm Replacement Filter	0.5 µm	N/A	N/A	122 µL	8,000 psi (552 bar)	ea.
7031-20	21.2 mm Replacement Filter	2 µm	N/A	N/A	115 µL	8,000 psi (552 bar)	ea.
<b>BIOCOMPATIBLE SEMI-PREP INLINE FILTERS</b>							
★ A-410	Biocompatible Filter Assembly	2 µm	10-32 Coned	(1) OC-802	89 µL	6,000 psi (414 bar)	ea.
A-411	Biocompatible Filter Assembly	10 µm	10-32 Coned	(1) OC-803	103 µL	6,000 psi (414 bar)	ea.
A-510	Biocompatible Filter Assembly	5 µm	5/16-24 Flat Bottom	(1) OC-805	89 µL	500 psi (34 bar)	ea.
OC-802	PEEK Frit, Green PCTFE ring	2 µm	N/A	N/A	46 µL	N/A	ea.
OC-803	PEEK Frit, Natural PCTFE ring	10 µm	N/A	N/A	57 µL	N/A	ea.
OC-805	PEEK Frit, Natural PCTFE ring	5 µm	N/A	N/A	50 µL	N/A	ea.

\*Swept volumes include/reflect theoretical frit volume values.