

## Quick-Stop Luer Inline Check Valve

- ▶ Check valve protection with luer convenience
- ▶ Remains open when engaged
- ▶ Materials of construction: PEEK, perfluoroelastomer, and gold-plated stainless steel spring

The Quick-Stop Luer Check Valve is designed to provide inline luer connect/disconnect convenience without the mess and hazard of spills. Just connect the valve assembly to your inline tubing using standard 1/4-28 flat-bottom fittings (see pages 22–29). The check valve is automatically opened once the luer connection is engaged, allowing flow in either direction. Disconnecting the luer union causes the check valve to close. Please see the "Application Note" on this page for specific ideas regarding use of this valve.

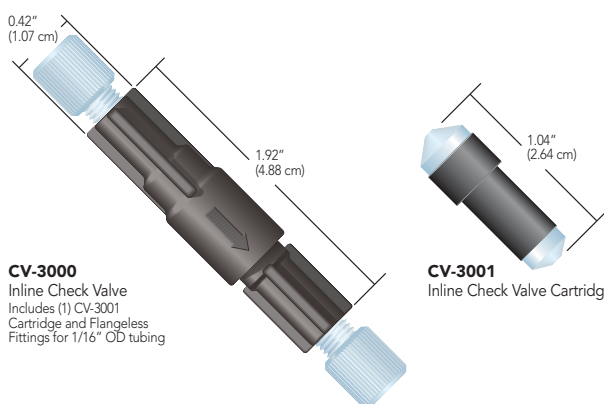


P-696 Quick-Stop Luer Check Valve Assembly.

## Inline Cartridge Check Valves

- ▶ Low cracking pressures
- ▶ Less than 150 µL internal volume
- ▶ Materials of construction: PEEK; perfluoroelastomer (CV-3001); gold-plated stainless steel spring (CV-3001); ethylene propylene (CV-3011); and stainless steel spring (CV-3011)

Upchurch Scientific® cartridge-style Inline Check Valves are designed to limit flow to one direction. These assemblies withstand system pressures of 1,000 psi (69 bar). The cracking pressures for the Inline Check Valve Cartridges are 1.5 psi (0.1 bar) for the CV-3001 and 3 psi (0.2 bar) for the CV-3011. Tolerance on the cracking pressure for CV-3001 is ± 0.5 psi (0.03 bar) and ± 1.5 psi (0.1 bar) on CV-3011.



**CV-3000**  
Inline Check Valve  
Includes (1) CV-3001  
Cartridge and Flangeless  
Fittings for 1/16" OD tubing

**CV-3001**  
Inline Check Valve Cartridge

## APPLICATION NOTE

### Inlet Solvent Reservoir:

Quickly change your solvent on the low pressure end of an HPLC system, while preventing potentially hazardous spills! Just install a Quick-Stop Luer Check Valve Assembly between your solvent reservoir and the pump, with the valve towards the bottle. The valve will prevent solvent leakage from the line coming from the reservoir, while the check valves in your pump prevent spills from the line leading to the pump. With both lines still full of solvent, this system also helps reduce the need to reprime your pump.

### FIA Sample Injection:

The Quick-Stop Luer Check Valve provides a practical means to introduce a sample into FIA and other low pressure systems, when used in conjunction with a P-612 Pressure Relief Valve Tee (page 154). Simply connect the Tee into the appropriate flow path line with the included fittings and thread the P-697 Quick-Stop Luer Valve onto the 1/4-28 male end of the Tee. Sample can then be introduced conveniently by using a standard luer-tipped syringe. The check valve is automatically opened when the syringe is attached and closed when the syringe is removed.

### Post Column Derivatization:

For post-column derivatization, place a CV-3000 Inline Check Valve on the effluent side of your column to prevent derivatizing agents from flowing backwards and poisoning the column. Placement on the post-column reagent line will also prevent mobile phase from contaminating the reagent if the auxiliary pump fails.

### Helium Sparging Tank Protection:

Try the CV-3010 Assembly, designed specifically for degassing (sparging) lines to prevent solvent backup if the sparging gas runs out. This check valve will help prevent potential solvent cross-contamination and damage to the gas regulating valve.

Part No.	Description	Includes	Swept Volume
<b>QUICK-STOP LUER CHECK VALVE</b>			
P-696	Quick-Stop Luer Check Valve Assembly	(1) P-697, (1) P-655	127 µL
★ P-697	Quick-Stop Luer Check Valve		107 µL
P-698	Bulkhead Quick-Stop Luer Valve Assembly	(1) P-699, (1) P-655, (1) nut/lock washer set	127 µL
P-699	Bulkhead Quick-Stop Luer Valve	(1) nut/lock washer set	107 µL
<b>INLINE CARTRIDGE CHECK VALVES</b>			
★ CV-3000	Inline Check Valve Assembly for 1/16" OD tubing	(1) CV-3001, (2) XP-215	96 µL
CV-3001	Inline Check Valve Cartridge for CV-3000		91 µL
CV-3010	Inline Check Valve Assembly for 1/8" OD tubing	(1) CV-3011, (2) XP-315	100 µL
CV-3011	Inline Check Valve Cartridge for CV-3010		92 µL