

Medium Pressure 4-Port Switching Valves

- ▶ Three flow configurations to choose from
- ▶ Biocompatible flow paths, PEEK™ and PTFE
- ▶ Pressure rated to 500 psi (34 bar)

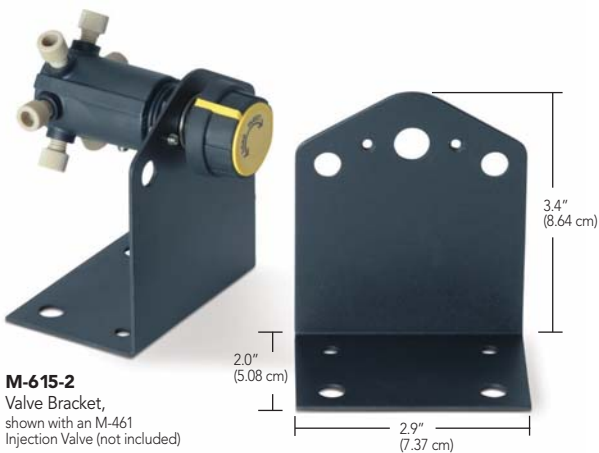
With three versions to choose from, Upchurch Scientific® Switching Valves offer several flow distribution options. Each V-100 Series Switching Valve has 0.040" (1.0 mm) thru-holes and is supplied with Flangeless Fittings for use with 1/16" OD tubing.

Each 4-Port Switching Valve is available in standard manual and bulkhead mountable manual configurations. The bulkhead mountable manual configuration can be mounted on the M-615-1 Valve Bracket (see below). DC gear motor actuated versions are also available for automated valve positioning. Each actuated valve is provided with an inline power adapter which allows operation from 110/120V and 220/240V AC power, a RS-232 and contact closure communication cable and a cable for multiplexing valves in series.

Valve Mounting Brackets

Mount the bulkhead mountable manual valves with these Brackets. Once mounted, a valve will be positioned horizontally. Extra holes are provided for valve accessories.

Made of sturdy anodized aluminum, these brackets can be attached to almost any lab surface. Each bracket comes with the required valve mounting hardware and instructions.

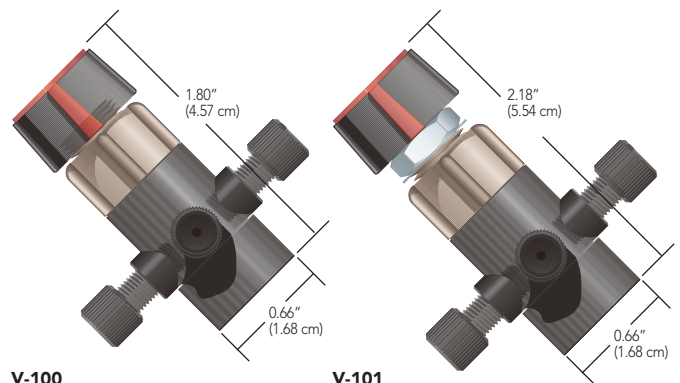


M-615-2
Valve Bracket,
shown with an M-461
Injection Valve (not included)



V-1101D-DC

V-101L



V-100
Standard Version

V-101
Bulkhead-Mount Version

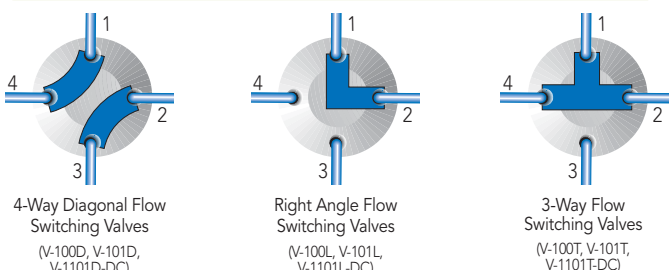
Related Products

To use these valves with 1/8" OD tubing, simply replace the supplied fittings with 1/4-28 Flangeless Fittings found on pages 24 – 27. *Please Note: To operate, all ports must be either connected to a line of your system or plugged. Comes complete with P-218BLK/P-240 Flangeless Fittings. "L" and "T" valve versions also include a P-309 Plug.*



Top Seller SEE STARRED PRODUCTS

Switching Valve Options



Part No.	Description	Swept Volume
MEDIUM PRESSURE 4-PORT SWITCHING VALVES, MANUAL		
V-100D	4-Way Diagonal Flow Switching Valve	12.4 µL
★ V-100L	Right Angle Flow Switching Valve	6.2 µL
V-100T	3-Way Flow Switching Valve	9.7 µL
★ V-101D	Bulkhead Version of V-100D	12.4 µL
★ V-101L	Bulkhead Version of V-100L	6.2 µL
V-101T	Bulkhead Version of V-100T	9.7 µL
V-103	0.050" Allen Wrench (replacement)	
MEDIUM PRESSURE 4-PORT SWITCHING VALVES, ACTUATED		
V-1101D-DC	Actuated Version of V-101D	12.4 µL
★ V-1101L-DC	Actuated Version of V-101L	6.2 µL
V-1101T-DC	Actuated Version of V-101T	9.7 µL
VALVE BRACKET		
M-615-1	Mounting Bracket for Switching Valves (page 144)	
M-615-2	Mounting Bracket for Injection and Selection Valves (this page)	