

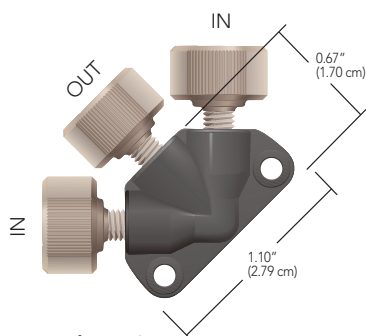
Static Mixing Tees

- ▶ PEEK body with two-piece fingertight fittings
- ▶ Low swept volume

Upchurch Scientific® Static Mixing Tees are ideal for microbore or analytical gradient HPLC. They have a low swept volume of 2.2 μL (includes frit volume) and are designed for flow rates of 0.5 to 3 mL/min and a maximum pressure of 5,000 psi (345 bar). The back pressure caused by the tee is typically only 10 to 20 psi (0.7 to 1.4 bar) at these flow rates. The thru-holes are 0.020" (0.50 mm) and the center port features a 10 μm UHMWPE or stainless steel frit that aids mixing.

NOTE

- ▶ Turbulent mixing of solvents often increases outgassing. To maintain a bubble-free fluid pathway, we recommend solvent degassing when using this product.
- ▶ The frit incorporated into our U-466 and U-466S Static Mixing Tees is not replaceable. If it becomes clogged, the Mixing Tee must be replaced.

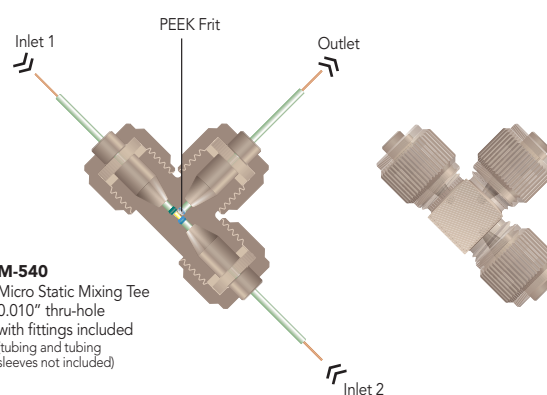


U-466 and U-466S
Static Mixing Tees
with F-300 Fingertight Fittings
for 1/16" OD tubing

Micro Static Mixing Tee

- ▶ Constructed of inert PEEK and PCTFE
- ▶ Low swept volume of 0.95 μL
- ▶ Designed for flow rates of 20–250 $\mu\text{L}/\text{min}$

The Upchurch Scientific® Micro Static Mixing Tee utilizes a specifically engineered internal geometry to efficiently mix two fluid streams into one combined stream. The center port also features a 0.5 μm porosity PEEK polymer frit to aid in mixing. This frit adds a maximum of 20 psi (1.4 bar) back pressure to most systems (within the stated flow rate range). The Mixing Tee handles a maximum pressure of 5,000 psi (345 bar) when directly connecting 1/16" OD tubing, or up to 4,000 psi (276 bar) with capillary tubing when using our NanoTight™ Fittings and Tubing Sleeves (pages 17 and 19).



M-540
Micro Static Mixing Tee
0.010" thru-hole
with fittings included
(tubing and tubing
sleeves not included)

RELATED PRODUCTS

- ▶ See the Systec® Vacuum Degassing Systems on pages 178.
- ▶ Our standard Static Mixing Tees are designed for flow rates from 0.5 mL/min to 3 mL/min.

Part No.	Description	Threads	Includes	Thru-hole	Swept Volume	Pressure Rating
STATIC MIXING TEE						
U-466	PEEK Static Mixing Tee for 1/16" OD Tubing, 10 μm UHMWPE Frit	10-32 Coned	(3) F-300	0.020" (0.50 mm)	2.2 μL	5,000 psi (345 bar)
★ U-466S	PEEK Static Mixing Tee for 1/16" OD Tubing, 10 μm SST Frit	10-32 Coned	(3) F-300	0.020" (0.50 mm)	2.2 μL	5,000 psi (345 bar)
MICRO STATIC MIXING TEE						
★ M-540	PEEK Micro Static Mixing Tee, for 1/16" OD Tubing	5/16-24 Coned	(3) F-132/P-416	0.010" (0.250 mm)	0.95 μL	5,000 psi (345 bar)