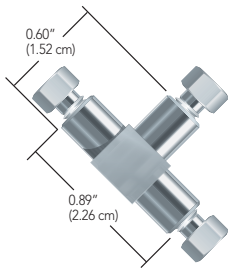
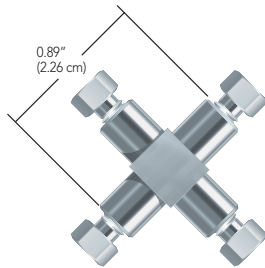


## Stainless Steel Tees & Crosses

These 316 stainless steel connectors come complete with 10-32 stainless steel fittings for use with 1/16" OD tubing and are rated to 20,000 psi (1,380 bar). They are compatible with any 10-32 coned threaded fittings.



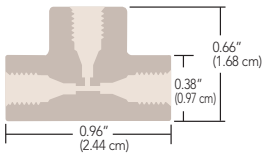
**U-428 Stainless Steel Tee**  
 0.020" thru-hole  
 with U-400 and U-401 Fittings



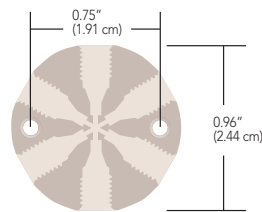
**U-430 Stainless Steel Cross**  
 0.020" thru-hole  
 with U-400 and U-401 Fittings

## PEEK 7-Port Manifold

Combine several streams into one or split one fluid stream into several. This PEEK 7-Port Manifold comes complete with F-331 Fingertight Fittings for 1/16" OD tubing and offers a pressure rating of 5,000 psi (345 bar). Seal unused ports with any of our polymer 10-32 coned plugs on page 32.



Side View

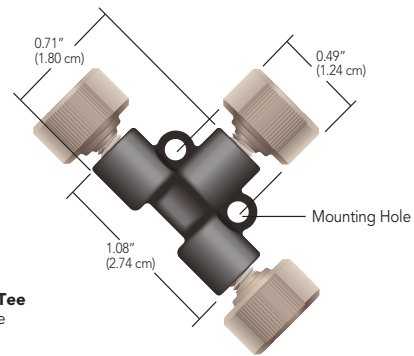


Top View

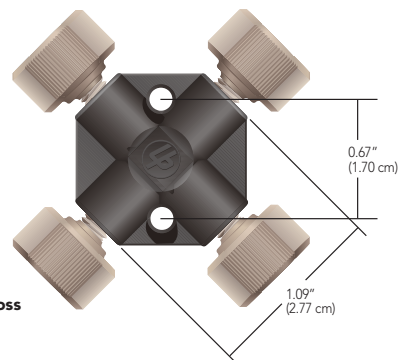
**P-170**  
 PEEK 7-Port Manifold  
 0.020" thru-holes  
 with F-331 Fittings

## PEEK Tees & Crosses

Our PEEK Tees and Crosses include high pressure F-300 PEEK Fingertight Fittings—allowing maximum operating pressures to 3,500 psi (241 bar) when used with 1/16" OD PEEK or stainless steel tubing.



**P-727 PEEK Tee**  
 0.020" thru-hole  
 with F-300 Fittings



**P-729 PEEK Cross**  
 0.020" thru-hole  
 with F-300 Fittings



Part No.	Description	Threads	Includes	Thru-hole	Swept Volume	Pressure Rating
<b>VHP TEE FOR 1/16" OD TUBING</b>						
★ U-428	Stainless Steel Tee for 1/16" OD Tubing	10-32 Coned	(3) U-400, (3) U-401	0.020" (0.50 mm)	0.57 µL	20,000 psi (1,380 bar)
★ U-429	Stainless Steel Tee for 1/16" OD Tubing	10-32 Coned	(3) U-400, (3) U-401	0.040" (1.00 mm)	2.1 µL	20,000 psi (1,380 bar)
★ U-430	Stainless Steel Cross for 1/16" OD Tubing	10-32 Coned	(4) U-400, (4) U-401	0.020" (0.50 mm)	0.72 µL	20,000 psi (1,380 bar)
★ U-431	Stainless Steel Cross for 1/16" OD Tubing	10-32 Coned	(4) U-400, (4) U-401	0.040" (1.00 mm)	2.5 µL	20,000 psi (1,380 bar)
<b>PEEK MANIFOLD</b>						
P-170	PEEK 7-Port Manifold for 1/16" OD Tubing	10-32 Coned	(7) F-331	0.020" (0.50 mm)	2.2 µL	5,000 psi (345 bar)
<b>PEEK TEES AND CROSSES</b>						
★ P-727	PEEK Tee for 1/16" OD Tubing	10-32 Coned	(3) F-300	0.020" (0.50 mm)	0.57 µL	3,500 psi (241 bar)
P-728	PEEK Tee for 1/16" OD Tubing	10-32 Coned	(3) F-300	0.050" (1.25 mm)	3.0 µL	3,500 psi (241 bar)
P-729	PEEK Cross for 1/16" OD Tubing	10-32 Coned	(4) F-300	0.020" (0.50 mm)	0.72 µL	3,500 psi (241 bar)