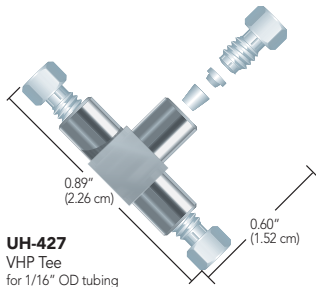


VHP Tee for 1/16" OD Tubing

IDEX Health & Science offers this Very High Pressure (VHP) Tee Connector, designed to bring three pieces of tubing together. The all-316 stainless steel connector is designed for 1/16" OD tubing and is pressure rated to 30,000 psi (2,070 bar).



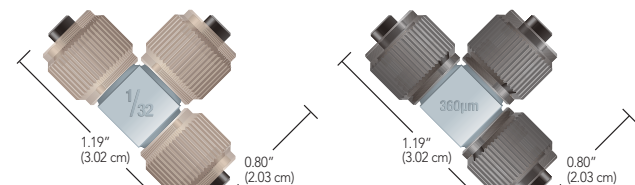
UH-427
VHP Tee
for 1/16" OD tubing
with fittings included

VHP Tees & Crosses for Capillary Tubing

- ▶ Direct-connect either 360 µm or 1/32" OD tubing — no sleeves required!
- ▶ Available in both tee and cross configurations
- ▶ Pressure rated to 15,000 psi (1,034 bar)

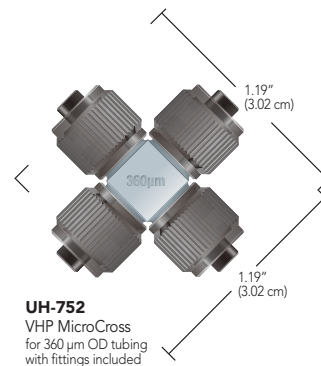
To help facilitate multi-port connections in UHPLC applications, Upchurch Scientific® has developed a line of MicroTees and MicroCrosses, manufactured from stainless steel and featuring small thru-holes and very low internal volume. Additionally, the stainless steel construction allows these products to be used in applications where electrical conductivity is desired.

Included with the MicroTees and MicroCrosses are the VHP MicroFerrules found on page 9. The P-278 Extender Tool on page 33 can be used to tighten the female nuts that are included with these connectors.



UH-700
VHP MicroTee
for 1/32" OD tubing
with fittings included

UH-750
VHP MicroTee
for 360 µm OD tubing
with fittings included



UH-752
VHP MicroCross
for 360 µm OD tubing
with fittings included

APPLICATION NOTE

Why 1/32" OD Tubing and 360 µm OD Tubing?

IDEX Health & Science has focused strongly on the development of a variety of connectors and accessories for 1/32" OD tubing and 360 µm OD tubing. We have focused on these specific sizes due to their overwhelming popularity in analytical instruments, especially where micro and nano-scale analyses are being performed. By creating products designed for these popular sizes, the overall connection is easier to make and generally holds to increased pressures over connections where tubing sleeves are involved.

Part No.	Description	Threads	Includes	Thru-hole	Swept Volume	Pressure Rating
VHP TEE FOR 1/16" OD TUBING						
UH-427	VHP Tee for 1/16" OD Tubing, SST	10-32 Coned	(3) VHP-200	0.020" (0.50 mm)	0.57 µL	30,000 psi (2,070 bar)
VHP TEES & CROSSES FOR CAPILLARY TUBING						
★ UH-700	VHP MicroTee for 1/32" OD Tubing, PEEK/SST	5/16-24 Coned	(3) PK-112, (3) P-416	0.010" (0.25 mm)	84 nL	15,000 psi (1,034 bar)
UH-750	VHP MicroTee for 360 µm OD Tubing, PEEK/SST	5/16-24 Coned	(3) PK-152, (3) P-416BLK	0.010" (0.25 mm)	84 nL	15,000 psi (1,034 bar)
UH-752	VHP MicroCross for 360 µm OD Tubing, PEEK/SST	5/16-24 Coned	(4) PK-152, (4) P-416BLK	0.010" (0.25 mm)	101 nL	15,000 psi (1,034 bar)