

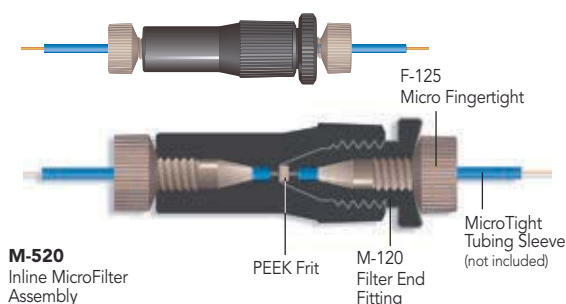
## Inline Solvent Filters

- ▶ Specially engineered for inline filtration
- ▶ Versions include Micro, Standard, and Semi-Preparative
- ▶ Bio-inert and stainless steel options offered
- ▶ Variety of porosities, application appropriate

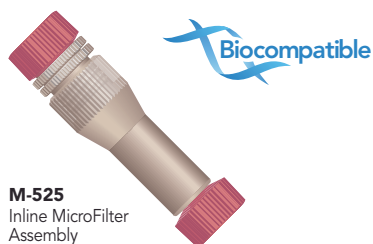
## Inline MicroFilters

- ▶ 100% biocompatible PEEK polymer option available
- ▶ Miniscule 240 nL void volume
- ▶ Two versions: direct connect 1/32" OD tubing or use MicroTight® tubing sleeves for 70–520 µm OD capillary tubing

Upchurch Scientific® Inline MicroFilters protect your column from particles originating in the mobile phase or sample, or from pump seal and sample injection valve wear. These filters have a 0.006" (150 µm) thru-hole. Choose the M-520 with a 0.5 µm 100% PEEK frit to connect to capillary tubing using the MicroTight tubing sleeves (page 19). You may also directly connect 1/32" OD tubing using the M-525 which contains a 0.5 µm PEEK frit.



**M-520**  
Inline MicroFilter  
Assembly

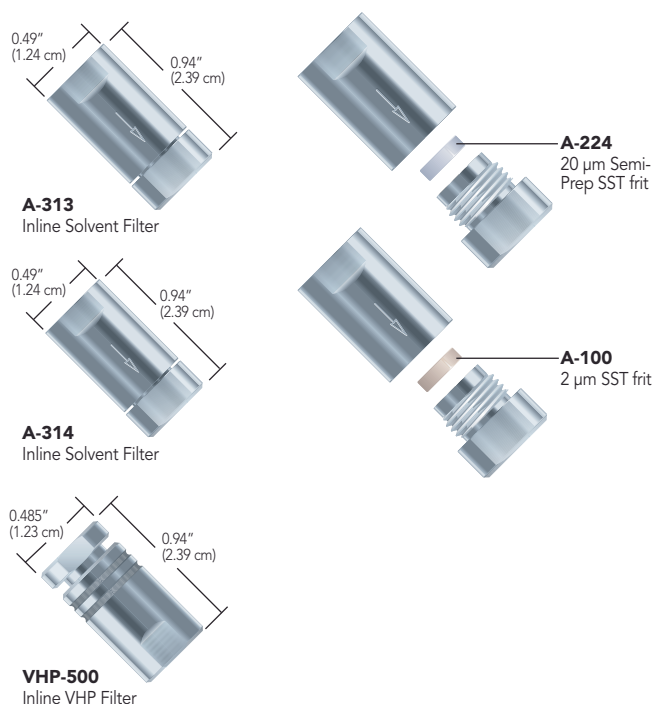


**M-525**  
Inline MicroFilter  
Assembly

## Standard Inline Solvent Filters

- ▶ For 1/16" OD tubing
- ▶ Versions for Standard HPLC (6,000 psi/414 bar) and UHPLC (25,000 psi/1,725 bar)
- ▶ Replacement frits available
- ▶ Help prevent particulate contamination from clogging sensitive equipment
- ▶ Ideally suited for placement along the flow path line between the pump and injection valve/autosampler

Inline filter assemblies that begin with the letter "A" are engineered for standard HPLC applications (up to 6,000 psi/414 bar). Inline Filter Assemblies that begin with the "VHP" prefix are suitable for use in UHPLC systems, where pressures can reach 25,000 psi (1,725 bar).



**A-313**  
Inline Solvent Filter

**A-314**  
Inline Solvent Filter

**VHP-500**  
Inline VHP Filter

## RELATED PRODUCTS

### Fittings

All Standard Inline Solvent Filters have 10-32 threads for 1/16" OD tubing, allowing the use of most standard chromatography high pressure fittings.

Part No.	Description	Porosity	For Tubing Size	Threads	Includes	Swept Volume	Pressure Rating	Qty.
<b>INLINE MICROFILTERS</b>								
★ M-520	Inline MicroFilter Assembly, PEEK Frit	0.5 µm	MicroTight Tubing Sleeve	MicroTight Tubing Sleeve	(5) M-120, (2) F-125	240 nL	4,000 psi (276 bar)	ea.
M-525	Inline MicroFilter Assembly, PEEK Frit	0.5 µm	1/32" OD	1/32" OD	(5) M-140, (2) F-126	240 nL	4,000 psi (276 bar)	ea.
<b>REPLACEMENT INLINE MICROFILTER END-FITTINGS</b>								
★ M-120x	End-Fittings, Black, with PEEK Frit	0.5 µm	MicroTight Tubing Sleeve	MicroTight Tubing Sleeve	N/A	216 nL	N/A	10-pk
M-140x	End-Fittings, Natural, with PEEK Frit	0.5 µm	1/32" OD	1/32" OD	N/A	216 nL	N/A	10-pk
<b>INLINE SOLVENT FILTERS</b>								
A-313	Solvent Filter Assembly	20 µm	1/16" OD	10-32 Coned	(1) A-224	12.3 µL	6,000 psi (414 bar)	ea.
★ A-314	Solvent Filter Assembly	2 µm	1/16" OD	10-32 Coned	(1) A-100	4 µL	6,000 psi (414 bar)	ea.
A-100x	Replacement Frits, Stainless Steel, 10-pk	2 µm	N/A	—	—	1.4 µL	N/A	10-pk
A-224	Replacement Frits, Stainless Steel, ea.	20 µm	N/A	—	—	9.7 µL	N/A	ea.
VHP-500	Inline VHP Filter	0.5 µm	1/16" OD	10-32 Coned	(5) VHP-501	1.2 µL	25,000 psi (1,725 bar)	ea.
VHP-505	Inline VHP Filter	0.2 µm	1/16" OD	10-32 Coned	(5) VHP-506	1.1 µL	25,000 psi (1,725 bar)	ea.
VHP-501x	Replacement Inline VHP Frit	0.5 µm	N/A	N/A	N/A	0.60 µL	N/A	10-pk
VHP-506x	Replacement Inline VHP Frit	0.2 µm	N/A	N/A	N/A	0.54 µL	N/A	10-pk

\*Swept volumes include/reflect theoretical frit volume values.  
SST = Stainless Steel