



# Series Overview

# Series GB

<b>Order Code</b>				<b>Pump Construction</b>			
<b>Base Code</b>		<b>Gear Set</b>		<b>Drive Mount</b>		<b>Options</b>	
G	B						
1	2	3	4	5	6	7	8
Model			Wetted Materials			O/C: Pump S/K: Service Kit	
				Magnetic Drive Gear Pump Suction Shoe Style Two or Three Helical Gears/DP25 Stationary Shafts O-Ring Seal (Qty 1)			



**Base Code** Select a code character for each numbered position to configure the product.

1	Code	Product Type	Specifications	Notes
	G	Gear Pump		
2	B	Series GB	Max System Pressure (MAWP) 21 Bar (300 psi)	Ports 1/8-27 (F) NPT Side Ports
3	-	Standard Design		
4		<b>Gear Set (Width/N°Gears/Pitch)</b>	Displacement	Max Differential Pressure Driven Magnet (Standard)
	P23	0.150/2/25	0.261 ml/rev (0.07 gal/1000*rev)	8.7 Bar (125 psi) Ferrite
	P25	0.350/2/25	0.58 ml/rev (0.15 gal/1000*rev)	8.7 Bar (125 psi) Ferrite
	P35	0.350/3/25	1.17 ml/rev (0.31 gal/1000*rev)	4.2 Bar (60 psi) Ferrite
5		<b>Gear Material</b>		Max Differential Pressure Temp Range
	P	PPS (carbon fiber/ptfe)		5.2 Bar (75 psi) -46/177°C (-50/350°F)
	J	PEEK (carbon fiber/ptfe)		8.7 Bar (125 psi) -46/177°C (-50/350°F)
6		<b>Static Seals</b>		Temp Range
	V	Viton®		-29/204°C (-20/400°F)
	D	EP		-46/149°C (-50/300°F)
	F5	TEV (PTFE encap Viton®)		-29/204°C (-20/400°F)
	K	Kalrez®		-29/260°C (-20/500°F)
7		<b>Base Materials</b>		
	S	SS316		
	D	Alloy 20		
	T	Titanium		
	C	Hast C-276®		
8		<b>Drive Mount</b>	Max System Pressure (MAWP)	Weight (Pumphead)
	A	MP Housing	21 Bar (300 psi)	0.34 kg (0.75 lbs)
	E	NEMA 56C	21 Bar (300 psi)	1.1 kg (2.4 lbs)
	6	IEC 71-B14	21 Bar (300 psi)	1.1 kg (2.4 lbs)

**Options** Add Option codes after the Base Code to modify features or enhance the product.

<b>Bypass (PC11)</b>		Optional Internal Bypass	
B1	Internal Bypass (SS316)	Preset to 3 Bar (pump only) (Pres)	1
<b>Driving Magnet (PC13)</b>			
N3	NdFeB Driving (Ring)		2

**Notes**

- 1 Available in SS316 only
- 2 Available only with industrial IEC or NEMA drive mounts

PRICES ARE FOB/EX-WORKS FACTORY - Prices shown are the Manufacturer's Suggested List Price and are subject to change without notice.

USA: Micropump, Inc., A Unit of IDEX Corporation • Phone 360.253.2008 • Fax 360.253.2401

UK: Micropump, Ltd., A Subsidiary of Micropump, Inc. • Phone +44 (1480) 356900 • Fax +44 (1480) 356920

info.micropump@idexcorp.com

www.micropump.com

GB000S.2MPV



# Technical Data

# Series GB

<b>Order Code</b>				<b>Options</b>			
<b>Base Code</b>		<b>Gear Set</b>		<b>Drive Mount</b>			
<b>G</b>	<b>B</b>	-	<b>P23</b>				
1	2	3	4	5	6	7	8
Model			Wetted Materials				
							O/C: Pump S/K: Service Kit

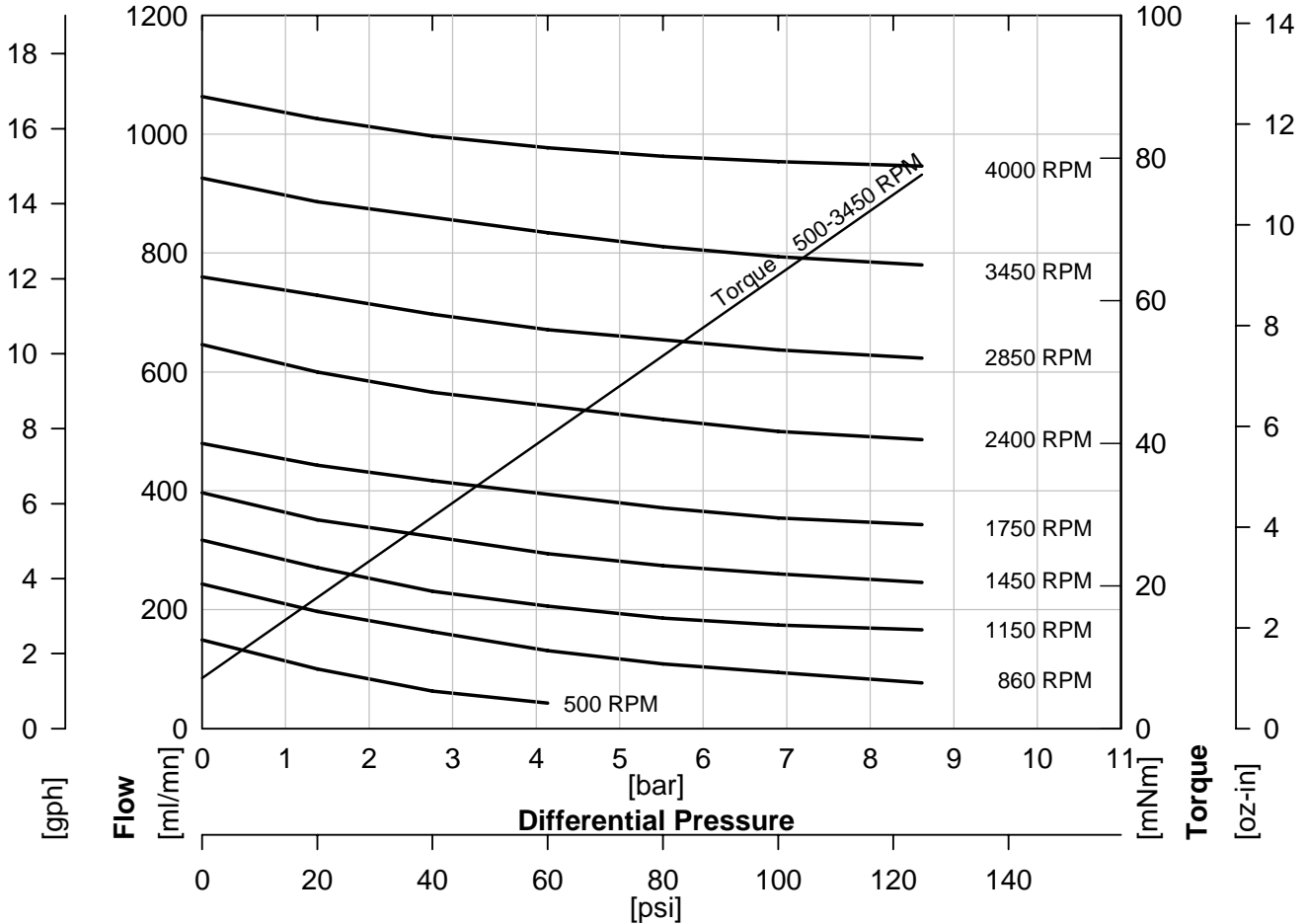
**Pump Construction**  
 Magnetic Drive Gear Pump  
 Suction Shoe Style  
 Two or Three Helical Gears/DP25  
 Stationary Shafts  
 O-Ring Seal (Qty 1)



## Performance

GB-P23

Water @ 1 CP




ACTUAL PERFORMANCE MAY VARY - Specifications are subject to change without notice. When multiple specs are noted, the most conservative value applies.

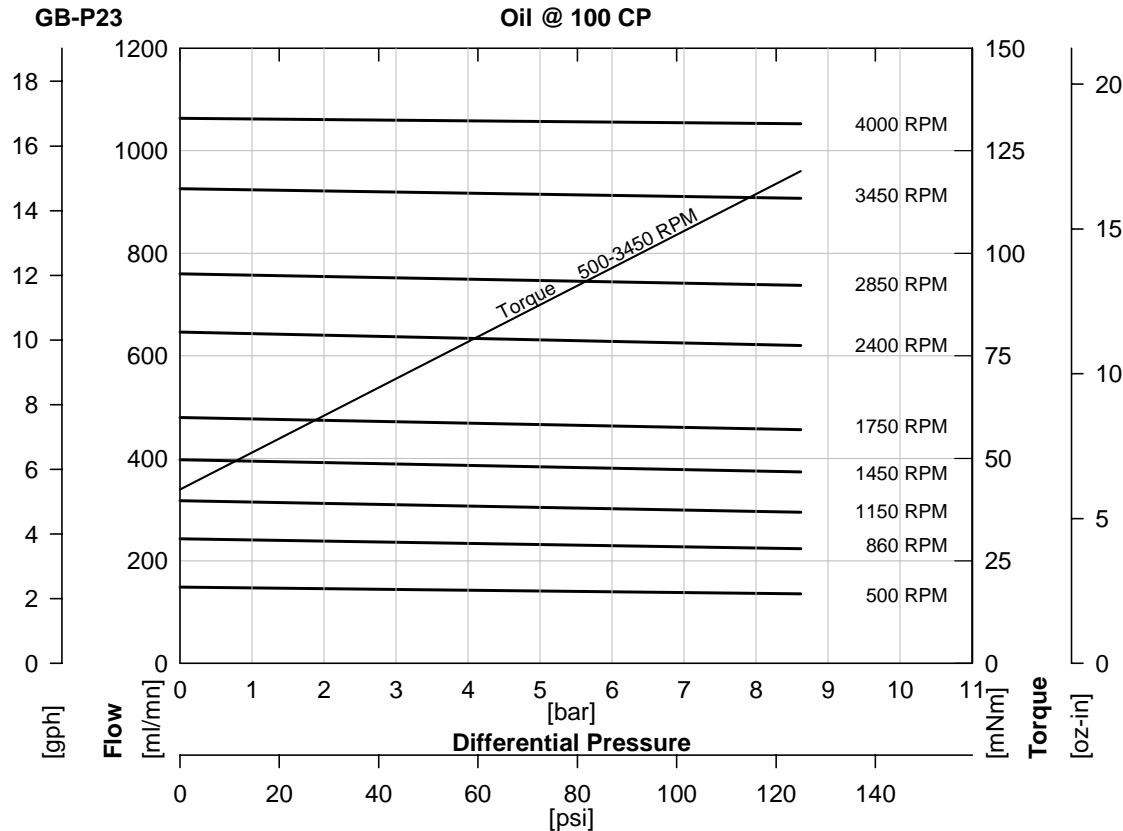
USA: Micropump, Inc., A Unit of IDEX Corporation • Phone 360.253.2008 • Fax 360.253.2401  
 UK: Micropump, Ltd., A Subsidiary of Micropump, Inc. • Phone +44 (1480) 356900 • Fax +44 (1480) 356920  
 info@micropump.com www.micropump.com

GB300 Rev A  
Page 1

<b>Order Code</b>				<b>Pump Construction</b>			
<b>Base Code</b>		Gear Set		Drive Mount		<b>Options</b>	
<b>G</b>	<b>B</b>	-	<b>P23</b>	•	•	•	
1	2	3	4	5	6	7	8
Model				Wetted Materials			
				O/C: Pump S/K: Service Kit			
Magnetic Drive Gear Pump Suction Shoe Style Two or Three Helical Gears/DP25 Stationary Shafts O-Ring Seal (Qty 1)							



## Performance-High Viscosity



$$\text{Watts} = \frac{\text{Torque [mNm]} \times \text{Speed [RPM]}}{9555}$$

$$\text{HP} = \frac{\text{Torque [oz-in]} \times \text{Speed [RPM]}}{1.008 \times 10^6}$$

To calculate torque, multiply correction factor by torque from viscosity curve above.

Torque Correction Factors: For Higher Viscosity Liquids				
Viscosity [cp]		1	100	1500
Max Speed [RPM]		3450	3450	1450
[Bar]	[psi]			
0.3	5	0.2	1	2.7
1.4	20	0.3	1	2.3
2.8	40	0.4	1	2.1
4.1	60	0.5	1	1.9
5.5	80	0.6	1	1.7
6.9	100	0.6	1	1.6
8.6	125	0.6	1	1.5

Magnet Decouple Torque			
Driven Magnet	Driving Hub	Torque [mNm]	Torque [oz-in]
Ferrite	Ferrite	155	22
Ferrite	SmCo	212	30
Ferrite	NdFeB	353	50
SmCo	Ferrite	254	36
SmCo	SmCo	565	80
SmCo	NdFeB	777	110

ACTUAL PERFORMANCE MAY VARY - Specifications are subject to change without notice. When multiple specs are noted, the most conservative value applies.

USA: Micropump, Inc., A Unit of IDEX Corporation • Phone 360.253.2008 • Fax 360.253.2401  
 UK: Micropump, Ltd., A Subsidiary of Micropump, Inc. • Phone +44 (1480) 356900 • Fax +44 (1480) 356920  
 info@micropump.com www.micropump.com



# Technical Data

# Series GB

<p><b>Order Code</b></p> <table style="width:100%; border-collapse: collapse;"> <tr> <td style="width:10%;"><b>Base Code</b></td> <td style="width:10%;"></td> <td style="width:10%;"><b>Gear Set</b></td> <td style="width:10%;"></td> <td style="width:10%;"><b>Drive Mount</b></td> <td style="width:10%;"></td> <td style="width:10%;"><b>Options</b></td> </tr> <tr> <td style="text-align:center;"><b>G</b></td> <td style="text-align:center;"><b>B</b></td> <td style="text-align:center;">-</td> <td style="text-align:center;"><b>P23</b></td> <td style="text-align:center;">●</td> <td style="text-align:center;">●</td> <td style="text-align:center;">●</td> </tr> <tr> <td style="text-align:center;">1</td> <td style="text-align:center;">2</td> <td style="text-align:center;">3</td> <td style="text-align:center;">4</td> <td style="text-align:center;">5</td> <td style="text-align:center;">6</td> <td style="text-align:center;">7</td> </tr> <tr> <td colspan="3" style="text-align:center;">Model</td> <td colspan="4" style="text-align:center;">Wetted Materials</td> </tr> </table> <div style="border: 1px solid black; padding: 2px; width: fit-content; margin-top: 5px;">         O/C: Pump S/K: Service Kit     </div>	<b>Base Code</b>		<b>Gear Set</b>		<b>Drive Mount</b>		<b>Options</b>	<b>G</b>	<b>B</b>	-	<b>P23</b>	●	●	●	1	2	3	4	5	6	7	Model			Wetted Materials				<p><b>Pump Construction</b></p> Magnetic Drive Gear Pump Suction Shoe Style Two or Three Helical Gears/DP25 Stationary Shafts O-Ring Seal (Qty 1)
<b>Base Code</b>		<b>Gear Set</b>		<b>Drive Mount</b>		<b>Options</b>																							
<b>G</b>	<b>B</b>	-	<b>P23</b>	●	●	●																							
1	2	3	4	5	6	7																							
Model			Wetted Materials																										



## Specifications

	<b>SI</b>	<b>US</b>
Displacement	0.261 ml/rev	0.07 gal/1000*rev
Max Flow (4 Pole Speed)	380 ml/mn 1450 RPM (50Hz)	7.3 gal/hr 1750 RPM (60Hz)
Max Flow (2 Pole Speed)	750 ml/mn 2850 RPM (50Hz)	15 gal/hr 3450 RPM (60Hz)
Max Differential Pressure	1 8.7 Bar	125 psi
Max System Pressure (MAWP)	21 Bar	300 psi
NIPR (Absolute)	180 mBar	2.5 psia
Wet Lift (Typical)	2 51 cm.H2O (1450 RPM)	24 in.H2O (1750 RPM)
Temp Range	3 See Gear Material	See Gear Material
Viscosity Range	4 0.2 to 1500 cp	0.2 to 1500 cp
Max Speed	10,000 RPM	10,000 RPM
Rotation (Facing Motor Shaft)	CW	CW
Weight (Pumphead)	0.34 kg	0.75 lbs
Dimensions (LxWxH)	See Drawing	See Drawing
Ports	1/8-27 (F) NPT Side Ports	1/8-27 (F) NPT Side Ports
Driven Magnet (Standard)	Ferrite	Ferrite
Optional Internal Bypass	Preset to 3 Bar (pump only)	Preset to 45 psi (pump only)

**Notes**

- 1 See Product Options. Max pressure depends on gear material.
- 2 Priming ability varies with operating conditions.
- 3 See Product Options for specific temp limits.
- 4 See Performance-High Viscosity for viscosity limits.

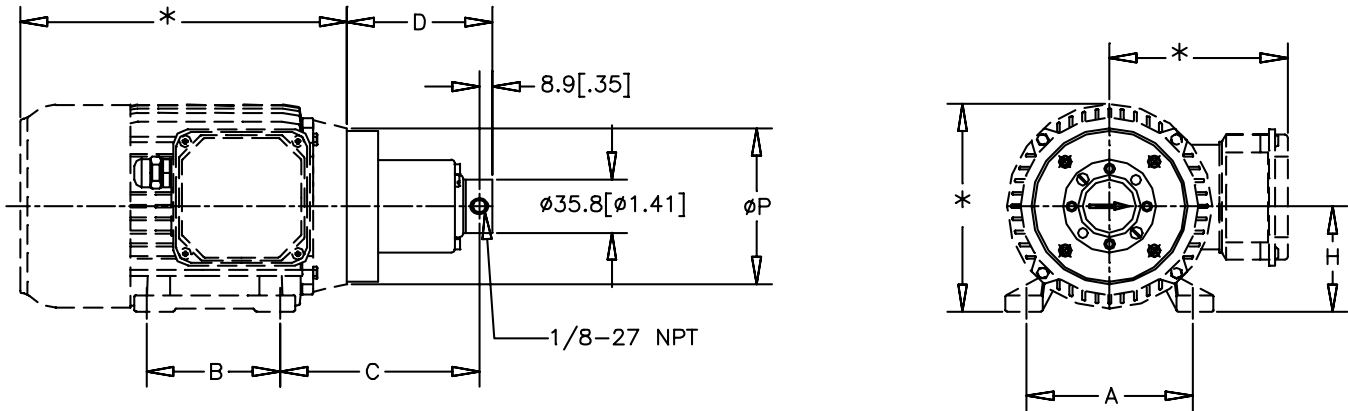
**ACTUAL PERFORMANCE MAY VARY - Specifications are subject to change without notice. When multiple specs are noted, the most conservative value applies.**

**USA: Micropump, Inc., A Unit of IDEX Corporation • Phone 360.253.2008 • Fax 360.253.2401**  
**UK: Micropump, Ltd., A Subsidiary of Micropump, Inc. • Phone +44 (1480) 356900 • Fax +44 (1480) 356920**  
**info@micropump.com                      www.micropump.com**

<b>Order Code</b>				<b>Pump Construction</b>			
<b>Base Code</b>		<b>Gear Set</b>		<b>Drive Mount</b>		<b>Options</b>	
G	B	-	P23	2	4/6		
1	2	3	4	5	6	7	8
Model				Wetted Materials			
				O/C: Pump S/K: Service Kit			
				<b>Magnetic Drive Gear Pump</b> Suction Shoe Style Two or Three Helical Gears/DP25 Stationary Shafts O-Ring Seal (Qty 1)			



## Dimensions



MOUNT	A mm [in]	B mm [in]	C mm [in]	D mm [in]	H mm [in]	P mm [in]
<sup>2</sup> IEC56B14B3	90 [3.54]	71 [2.80]	112.4 [4.43]	85.3 [3.36]	56 [2.20]	80 [3.15]
<sup>4</sup> IEC63B14B3	100 [3.94]	80 [3.15]	122.0 [4.80]	90.9 [3.58]	63 [2.48]	90 [3.54]
<sup>6</sup> IEC71B14B3	112 [4.41]	90 [3.54]	134.1 [5.28]	97.9 [3.86]	71 [2.80]	105 [4.13]

### NOTES:

1. \*THESE DIMENSIONS WILL VARY BASED ON MOTOR SELECTION.
2. ALL DIMENSIONS ARE NOMINAL.

ACTUAL PERFORMANCE MAY VARY - Specifications are subject to change without notice. When multiple specs are noted, the most conservative value applies.

USA: Micropump, Inc., A Unit of IDEX Corporation • Phone 360.253.2008 • Fax 360.253.2401  
 UK: Micropump, Ltd., A Subsidiary of Micropump, Inc. • Phone +44 (1480) 356900 • Fax +44 (1480) 356920  
[info@micropump.com](mailto:info@micropump.com) [www.micropump.com](http://www.micropump.com)



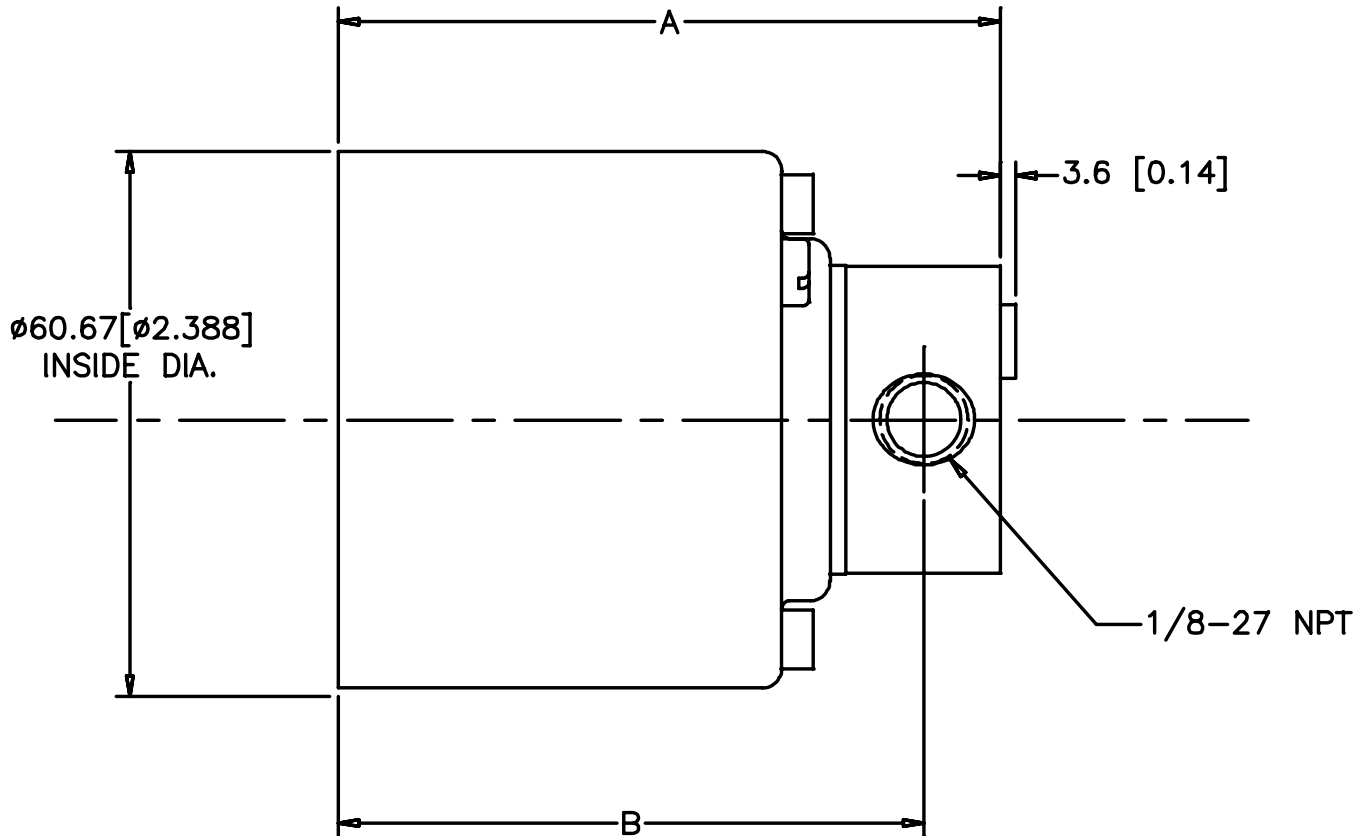
# Technical Data

# Series GB

<b>Order Code</b>				<b>Pump Construction</b>			
<b>Base Code</b>		Gear Set	Drive Mount		Options		
G	B	-	P23				A
1	2	3	4	5	6	7	8
Model				Wetted Materials			O/C: Pump S/K: Service Kit
<b>Pump Construction</b> Magnetic Drive Gear Pump Suction Shoe Style Two or Three Helical Gears/DP25 Stationary Shafts O-Ring Seal (Qty 1)							



## Dimensions



A (MAX) mm [in]	B mm [in]
77.0 [3.03]	68.1 [2.68]

### NOTES:

1. ALL DIMENSIONS ARE NOMINAL.

ACTUAL PERFORMANCE MAY VARY - Specifications are subject to change without notice. When multiple specs are noted, the most conservative value applies.

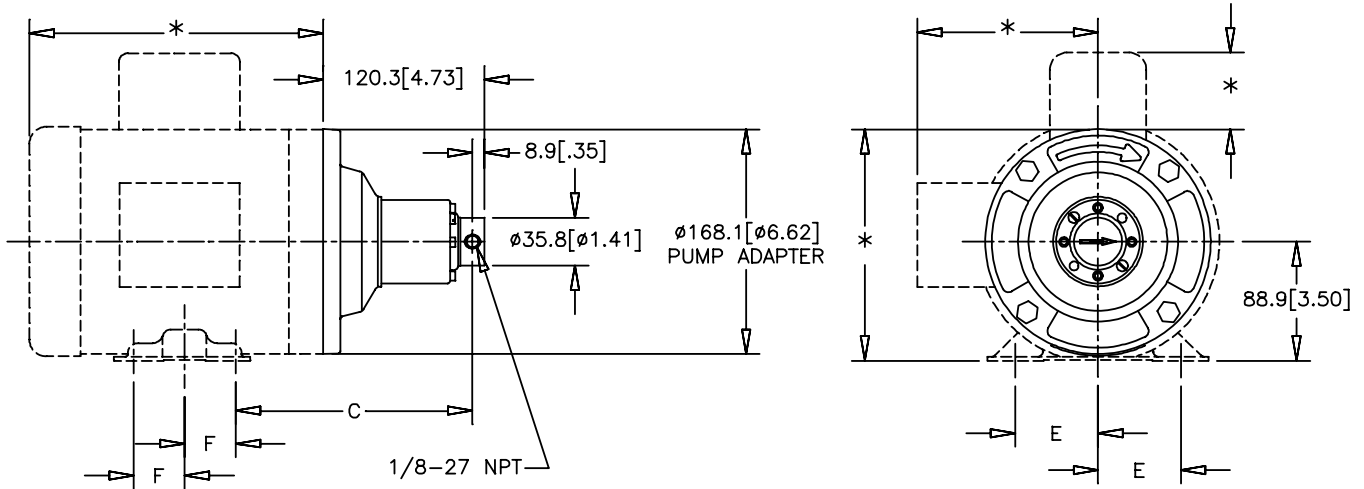
USA: Micropump, Inc., A Unit of IDEX Corporation • Phone 360.253.2008 • Fax 360.253.2401  
 UK: Micropump, Ltd., A Subsidiary of Micropump, Inc. • Phone +44 (1480) 356900 • Fax +44 (1480) 356920  
 info@micropump.com www.micropump.com

GB301 Rev A  
 Dimensions 1  
 Printed 06-Oct-05

<b>Order Code</b>				<b>Pump Construction</b>			
<b>Base Code</b>		<b>Gear Set</b>		<b>Drive Mount</b>		<b>Options</b>	
G	B	-	P23	5	6	7	E
1	2	3	4	5	6	7	8
Model				Wetted Materials			
				O/C: Pump S/K: Service Kit			
				<b>Magnetic Drive Gear Pump</b> Suction Shoe Style Two or Three Helical Gears/DP25 Stationary Shafts O-Ring Seal (Qty 1)			



## Dimensions



MOUNT	C mm [in]	E mm [in]	F mm [in]
NEMA <sup>E</sup> 56C	176.7 [6.95]	61.9 [2.44]	38.1 [1.50]
NEMA <sup>K</sup> 143TC	171.8 [6.77]	69.9 [2.75]	50.8 [2.00]
NEMA <sup>K</sup> 145TC	171.8 [6.77]	69.9 [2.75]	63.5 [2.50]

### NOTES:

1. \*THESE DIMENSIONS WILL VARY BASED ON MOTOR SELECTION.
2. ALL DIMENSIONS ARE NOMINAL.

ACTUAL PERFORMANCE MAY VARY - Specifications are subject to change without notice. When multiple specs are noted, the most conservative value applies.

USA: Micropump, Inc., A Unit of IDEX Corporation • Phone 360.253.2008 • Fax 360.253.2401  
 UK: Micropump, Ltd., A Subsidiary of Micropump, Inc. • Phone +44 (1480) 356900 • Fax +44 (1480) 356920  
 info@micropump.com      www.micropump.com



# Technical Data

# Series GB

<b>Order Code</b>				<b>Options</b>			
<b>Base Code</b>		<b>Gear Set</b>		<b>Drive Mount</b>			
<b>G</b>	<b>B</b>	-	<b>P25</b>				
1	2	3	4	5	6	7	8
Model			Wetted Materials				
							O/C: Pump S/K: Service Kit

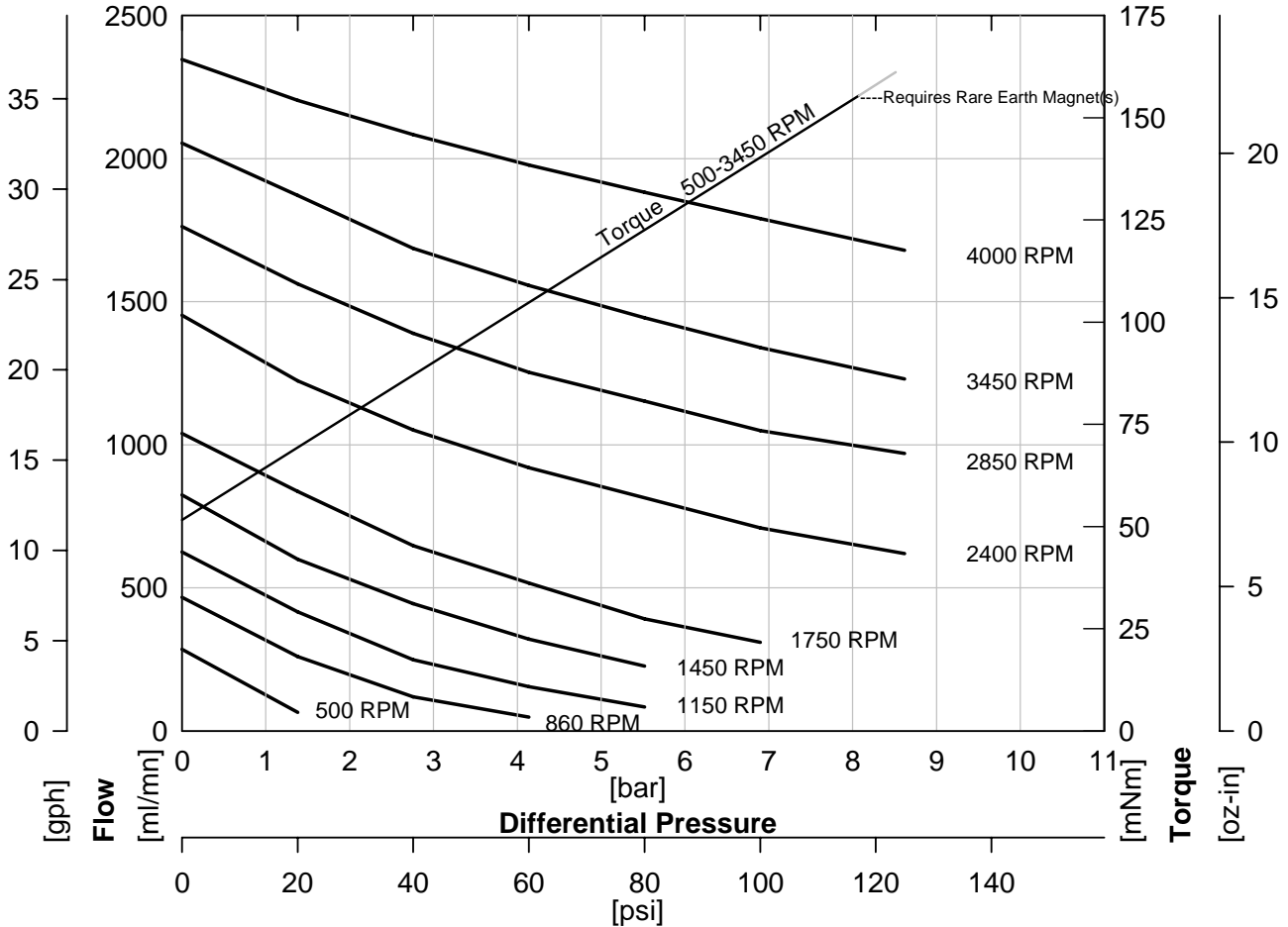
**Pump Construction**  
 Magnetic Drive Gear Pump  
 Suction Shoe Style  
 Two or Three Helical Gears/DP25  
 Stationary Shafts  
 O-Ring Seal (Qty 1)



## Performance

GB-P25

Water @ 1 CP



ACTUAL PERFORMANCE MAY VARY - Specifications are subject to change without notice. When multiple specs are noted, the most conservative value applies.

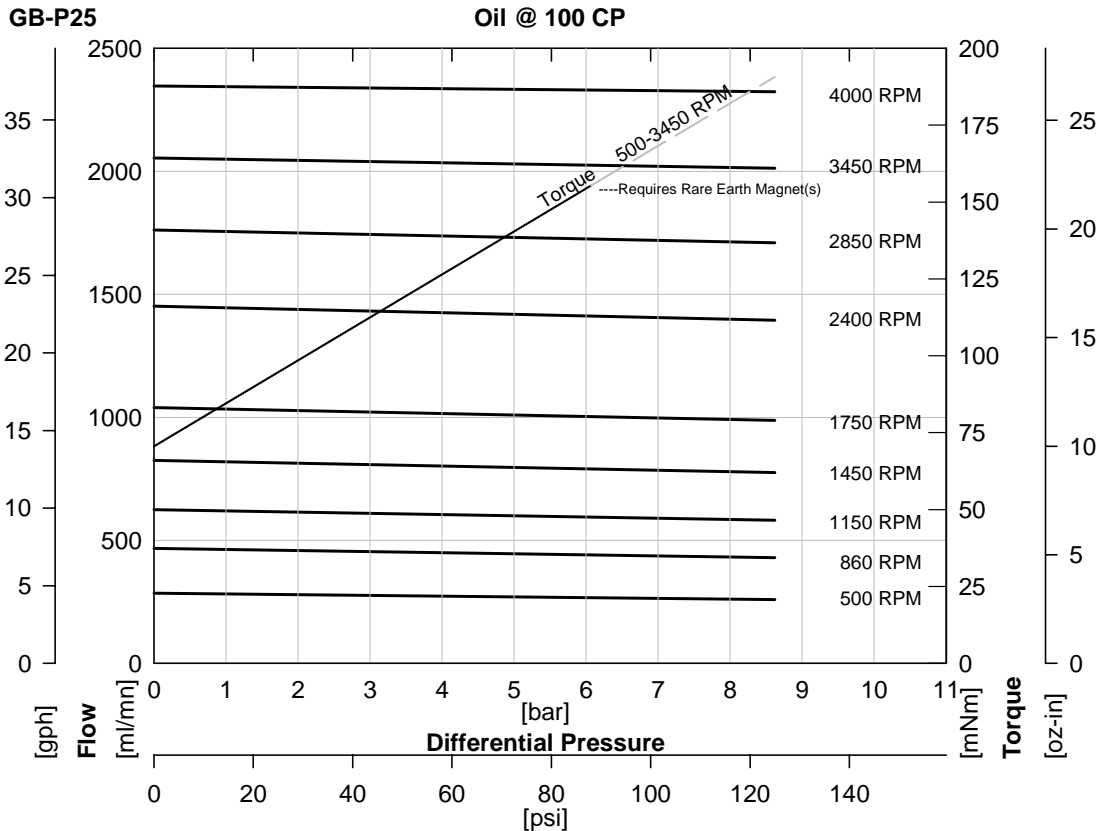
USA: Micropump, Inc., A Unit of IDEX Corporation • Phone 360.253.2008 • Fax 360.253.2401  
 UK: Micropump, Ltd., A Subsidiary of Micropump, Inc. • Phone +44 (1480) 356900 • Fax +44 (1480) 356920  
 info@micropump.com www.micropump.com



<b>Order Code</b>				<b>Pump Construction</b>			
<b>Base Code</b>		<b>Gear Set</b>		<b>Drive Mount</b>		<b>Options</b>	
G	B	-	P25	●	●	●	
1	2	3	4	5	6	7	8
Model			Wetted Materials				O/C: Pump S/K: Service Kit
Magnetic Drive Gear Pump Suction Shoe Style Two or Three Helical Gears/DP25 Stationary Shafts O-Ring Seal (Qty 1)							



## Performance-High Viscosity



$$\text{Watts} = \frac{\text{Torque [mNm]} \times \text{Speed [RPM]}}{9555}$$

$$\text{HP} = \frac{\text{Torque [oz-in]} \times \text{Speed [RPM]}}{1.008 \times 10^6}$$

To calculate torque, multiply correction factor by torque from viscosity curve above.

<b>Torque Correction Factors: For Higher Viscosity Liquids</b>				
Viscosity [cp]		1	100	1500
Max Speed [RPM]		3450	3450	1150
[Bar]	[psi]			
0.3	5	0.7	1	2.1
1.4	20	0.8	1	1.9
2.8	40	0.8	1	1.7
4.1	60	0.8	1	1.9
5.5	80	0.8	1	1.4
6.9	100	0.8	1	1.3
8.6	125	0.9	1	1.3

<b>Magnet Decouple Torque</b>			
Driven Magnet	Driving Hub	Torque [mNm]	Torque [oz.in]
Ferrite	Ferrite	155	22
Ferrite	SmCo	212	30
Ferrite	NdFeB	353	50
SmCo	Ferrite	254	36
SmCo	SmCo	565	80
SmCo	NdFeB	777	110

ACTUAL PERFORMANCE MAY VARY - Specifications are subject to change without notice. When multiple specs are noted, the most conservative value applies.

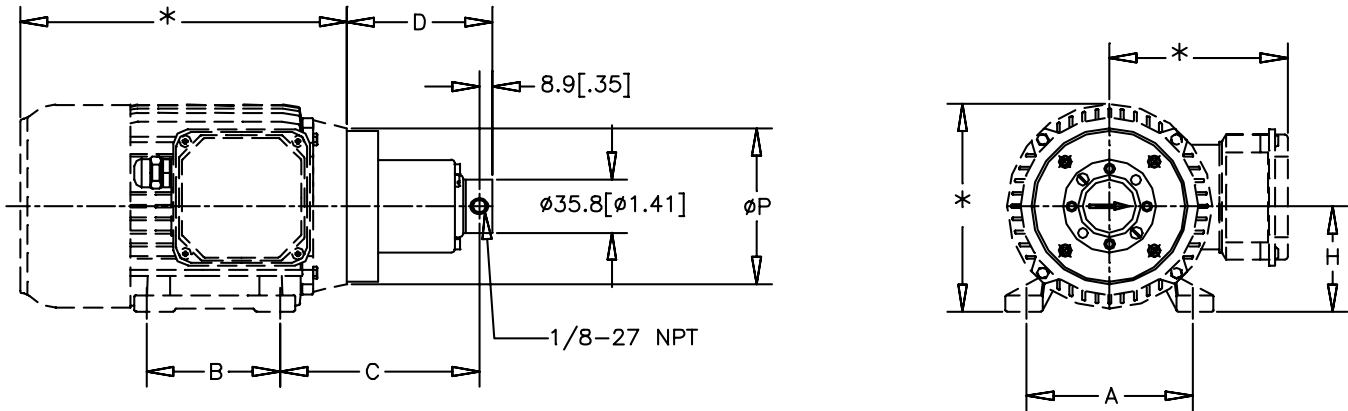
**USA: Micropump, Inc., A Unit of IDEX Corporation • Phone 360.253.2008 • Fax 360.253.2401**  
**UK: Micropump, Ltd., A Subsidiary of Micropump, Inc. • Phone +44 (1480) 356900 • Fax +44 (1480) 356920**  
**info@micropump.com      www.micropump.com**



<b>Order Code</b>				<b>Pump Construction</b>			
<b>Base Code</b>		<b>Gear Set</b>		<b>Drive Mount</b>		<b>Options</b>	
G	B	-	P25	2	4/6		
1	2	3	4	5	6	7	8
Model				Wetted Materials			
				O/C: Pump S/K: Service Kit			
				<b>Magnetic Drive Gear Pump</b> Suction Shoe Style Two or Three Helical Gears/DP25 Stationary Shafts O-Ring Seal (Qty 1)			



## Dimensions



MOUNT	A mm [in]	B mm [in]	C mm [in]	D mm [in]	H mm [in]	P mm [in]
<sup>2</sup> IEC56B14B3	90 [3.54]	71 [2.80]	112.4 [4.43]	85.3 [3.36]	56 [2.20]	80 [3.15]
<sup>4</sup> IEC63B14B3	100 [3.94]	80 [3.15]	122.0 [4.80]	90.9 [3.58]	63 [2.48]	90 [3.54]
<sup>6</sup> IEC71B14B3	112 [4.41]	90 [3.54]	134.1 [5.28]	97.9 [3.86]	71 [2.80]	105 [4.13]

### NOTES:

1. \*THESE DIMENSIONS WILL VARY BASED ON MOTOR SELECTION.
2. ALL DIMENSIONS ARE NOMINAL.

ACTUAL PERFORMANCE MAY VARY - Specifications are subject to change without notice. When multiple specs are noted, the most conservative value applies.

USA: Micropump, Inc., A Unit of IDEX Corporation • Phone 360.253.2008 • Fax 360.253.2401  
 UK: Micropump, Ltd., A Subsidiary of Micropump, Inc. • Phone +44 (1480) 356900 • Fax +44 (1480) 356920  
 info@micropump.com www.micropump.com



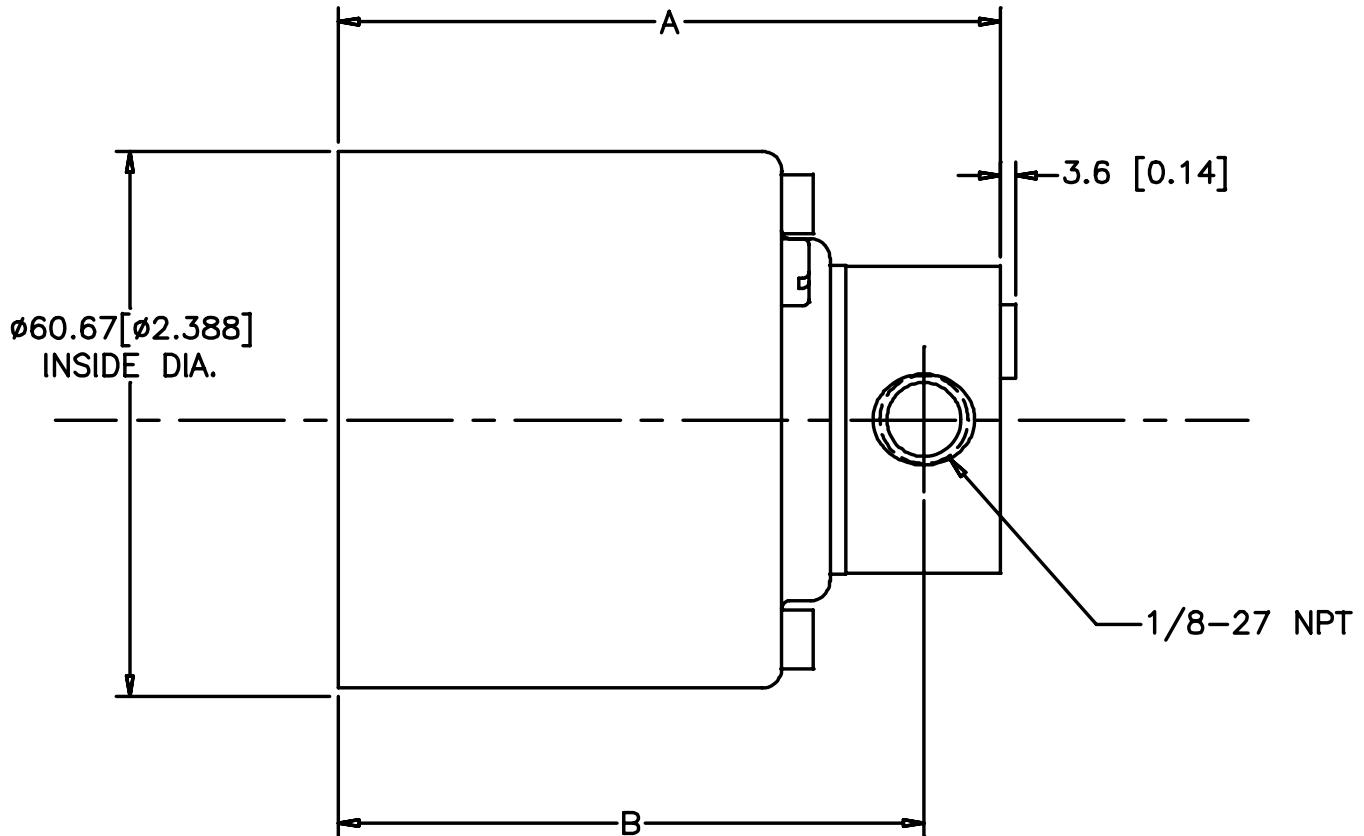
# Technical Data

# Series GB

<b>Order Code</b>				<b>Pump Construction</b>			
<b>Base Code</b>		Gear Set		Drive Mount		<b>Options</b>	
G	B	-	P25			A	
1	2	3	4	5	6	7	8
Model				Wetted Materials			
				O/C: Pump S/K: Service Kit			
				Magnetic Drive Gear Pump Suction Shoe Style Two or Three Helical Gears/DP25 Stationary Shafts O-Ring Seal (Qty 1)			



## Dimensions



A (MAX) mm [in]	B mm [in]
77.0 [3.03]	68.1 [2.68]

### NOTES:

1. ALL DIMENSIONS ARE NOMINAL.

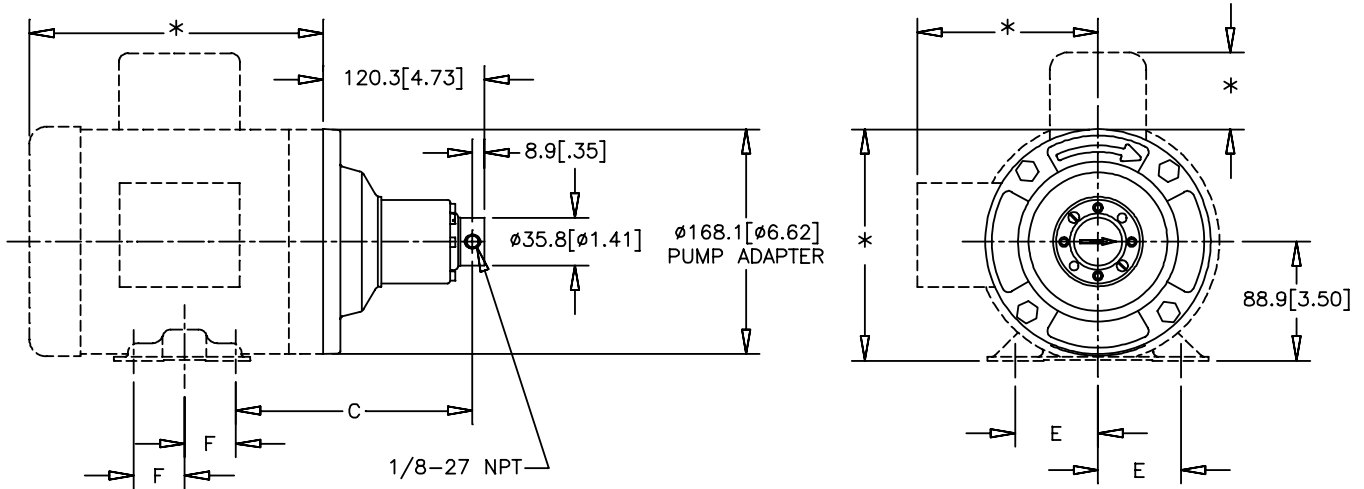
ACTUAL PERFORMANCE MAY VARY - Specifications are subject to change without notice. When multiple specs are noted, the most conservative value applies.

USA: Micropump, Inc., A Unit of IDEX Corporation • Phone 360.253.2008 • Fax 360.253.2401  
 UK: Micropump, Ltd., A Subsidiary of Micropump, Inc. • Phone +44 (1480) 356900 • Fax +44 (1480) 356920  
 info@micropump.com www.micropump.com

<b>Order Code</b>				<b>Pump Construction</b>			
<b>Base Code</b>		<b>Gear Set</b>		<b>Drive Mount</b>		<b>Options</b>	
G	B	-	P25			E	
1	2	3	4	5	6	7	8
Model				Wetted Materials			
				O/C: Pump S/K: Service Kit			
				Magnetic Drive Gear Pump Suction Shoe Style Two or Three Helical Gears/DP25 Stationary Shafts O-Ring Seal (Qty 1)			



## Dimensions



MOUNT	C mm [in]	E mm [in]	F mm [in]
NEMA <sup>E</sup> 56C	176.7 [6.95]	61.9 [2.44]	38.1 [1.50]
NEMA <sup>K</sup> 143TC	171.8 [6.77]	69.9 [2.75]	50.8 [2.00]
NEMA <sup>K</sup> 145TC	171.8 [6.77]	69.9 [2.75]	63.5 [2.50]

### NOTES:

- \*THESE DIMENSIONS WILL VARY BASED ON MOTOR SELECTION.
- ALL DIMENSIONS ARE NOMINAL.

ACTUAL PERFORMANCE MAY VARY - Specifications are subject to change without notice. When multiple specs are noted, the most conservative value applies.

USA: Micropump, Inc., A Unit of IDEX Corporation • Phone 360.253.2008 • Fax 360.253.2401  
 UK: Micropump, Ltd., A Subsidiary of Micropump, Inc. • Phone +44 (1480) 356900 • Fax +44 (1480) 356920  
 info@micropump.com www.micropump.com



# Technical Data

# Series GB

<b>Order Code</b>				<b>Options</b>			
<b>Base Code</b>		<b>Gear Set</b>		<b>Drive Mount</b>			
G	B	-	P35				
1	2	3	4	5	6	7	8
Model			Wetted Materials				
							O/C: Pump S/K: Service Kit

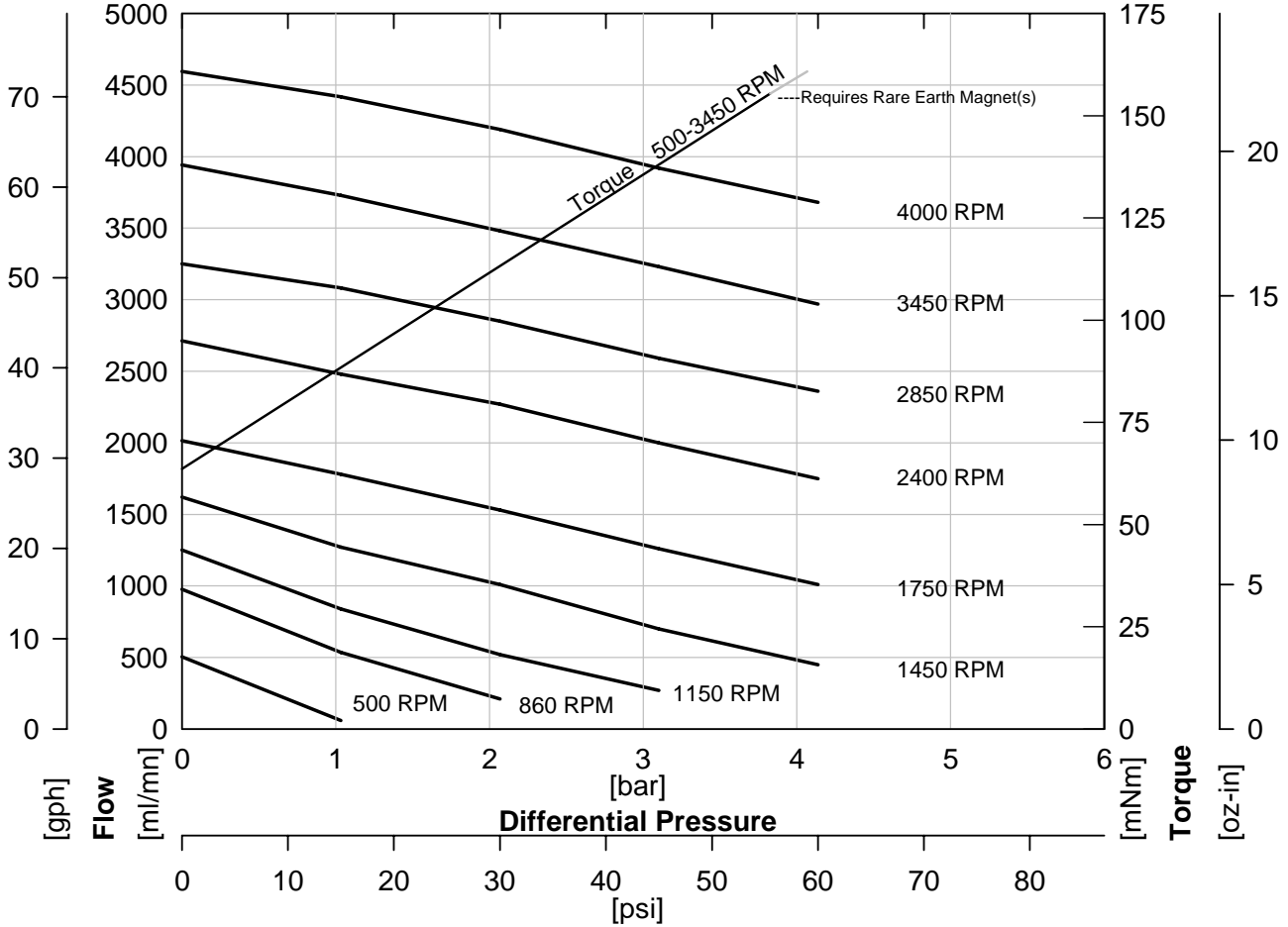
**Pump Construction**  
 Magnetic Drive Gear Pump  
 Suction Shoe Style  
 Two or Three Helical Gears/DP25  
 Stationary Shafts  
 O-Ring Seal (Qty 1)



## Performance

GB-P35

Water @ 1 CP



ACTUAL PERFORMANCE MAY VARY - Specifications are subject to change without notice. When multiple specs are noted, the most conservative value applies.

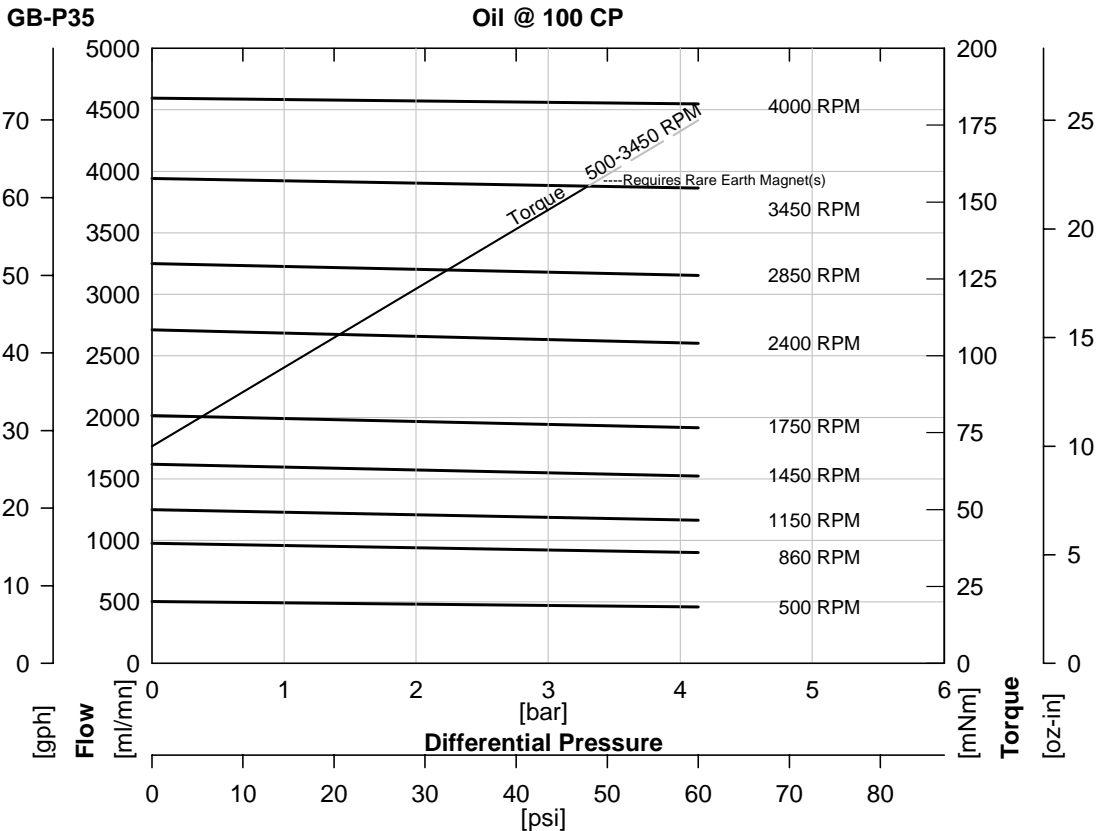
USA: Micropump, Inc., A Unit of IDEX Corporation • Phone 360.253.2008 • Fax 360.253.2401  
 UK: Micropump, Ltd., A Subsidiary of Micropump, Inc. • Phone +44 (1480) 356900 • Fax +44 (1480) 356920  
 info@micropump.com www.micropump.com

GB700 Rev A  
Page 1

<b>Order Code</b>				<b>Pump Construction</b>			
<b>Base Code</b>		Gear Set	Drive Mount	Magnetic Drive Gear Pump			
G	B	-	P35	Suction Shoe Style			
1	2	3	4	Two or Three Helical Gears/DP25			
Model			5	Stationary Shafts			
			6	O-Ring Seal (Qty 1)			
			7				
			8				
				Options			
				O/C: Pump			
				S/K: Service Kit			



**Performance-High Viscosity**



$$\text{Watts} = \frac{\text{Torque [mNm]} \times \text{Speed [RPM]}}{9555}$$

$$\text{HP} = \frac{\text{Torque [oz-in]} \times \text{Speed [RPM]}}{1.008 \times 10^6}$$

To calculate torque, multiply correction factor by torque from viscosity curve above.

Torque Correction Factors: For Higher Viscosity Liquids				
Viscosity [cp]		1	100	1500
Max Speed [RPM]		3450	3450	300
[Bar]	[psi]			
0.3	5	0.9	1	1.2
1.4	20	0.9	1	1.2
2.8	40	0.9	1	1.1
4.1	60	0.9	1	1.1

Magnet Decouple Torque			
Driven Magnet	Driving Hub	Torque [mNm]	Torque [oz.in]
Ferrite	Ferrite	155	22
Ferrite	SmCo	212	30
Ferrite	NdFeB	353	50
SmCo	Ferrite	254	36
SmCo	SmCo	565	80
SmCo	NdFeB	777	110

ACTUAL PERFORMANCE MAY VARY - Specifications are subject to change without notice. When multiple specs are noted, the most conservative value applies.

USA: Micropump, Inc., A Unit of IDEX Corporation • Phone 360.253.2008 • Fax 360.253.2401  
 UK: Micropump, Ltd., A Subsidiary of Micropump, Inc. • Phone +44 (1480) 356900 • Fax +44 (1480) 356920  
 info@micropump.com www.micropump.com

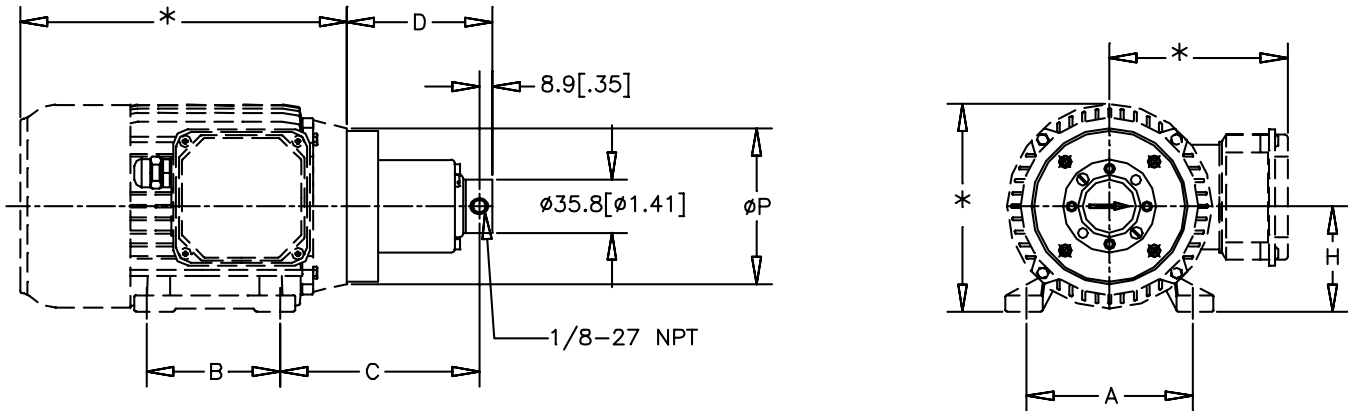




<b>Order Code</b>				<b>Pump Construction</b>			
<b>Base Code</b>		<b>Gear Set</b>		<b>Drive Mount</b>		<b>Options</b>	
G	B	-	P35	2	4	6	8
1	2	3	4	5	6	7	8
Model				Wetted Materials			
				O/C: Pump S/K: Service Kit			
				<b>Magnetic Drive Gear Pump</b> Suction Shoe Style Two or Three Helical Gears/DP25 Stationary Shafts O-Ring Seal (Qty 1)			



## Dimensions



MOUNT	A mm [in]	B mm [in]	C mm [in]	D mm [in]	H mm [in]	P mm [in]
<sup>2</sup> IEC56B14B3	90 [3.54]	71 [2.80]	112.4 [4.43]	85.3 [3.36]	56 [2.20]	80 [3.15]
<sup>4</sup> IEC63B14B3	100 [3.94]	80 [3.15]	122.0 [4.80]	90.9 [3.58]	63 [2.48]	90 [3.54]
<sup>6</sup> IEC71B14B3	112 [4.41]	90 [3.54]	134.1 [5.28]	97.9 [3.86]	71 [2.80]	105 [4.13]

### NOTES:

1. \*THESE DIMENSIONS WILL VARY BASED ON MOTOR SELECTION.
2. ALL DIMENSIONS ARE NOMINAL.

ACTUAL PERFORMANCE MAY VARY - Specifications are subject to change without notice. When multiple specs are noted, the most conservative value applies.

USA: Micropump, Inc., A Unit of IDEX Corporation • Phone 360.253.2008 • Fax 360.253.2401  
 UK: Micropump, Ltd., A Subsidiary of Micropump, Inc. • Phone +44 (1480) 356900 • Fax +44 (1480) 356920  
 info@micropump.com      www.micropump.com



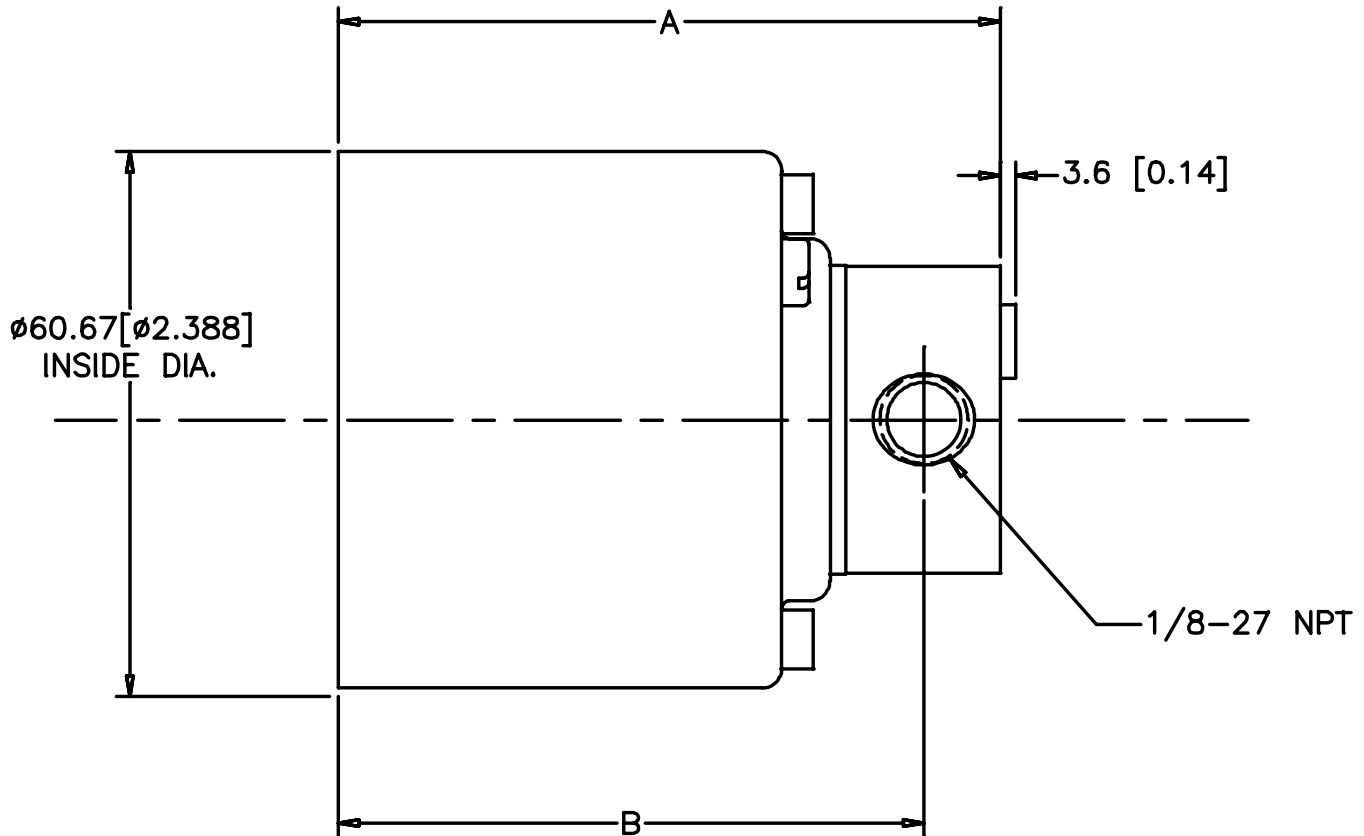
# Technical Data

# Series GB

<b>Order Code</b>				<b>Pump Construction</b>			
<b>Base Code</b>		Gear Set	Drive Mount		Options		
G	B	-	P35				A
1	2	3	4	5	6	7	8
Model			Wetted Materials			O/C: Pump S/K: Service Kit	



## Dimensions



A (MAX) mm [in]	B mm [in]
77.0 [3.03]	68.1 [2.68]

### NOTES:

1. ALL DIMENSIONS ARE NOMINAL.

ACTUAL PERFORMANCE MAY VARY - Specifications are subject to change without notice. When multiple specs are noted, the most conservative value applies.

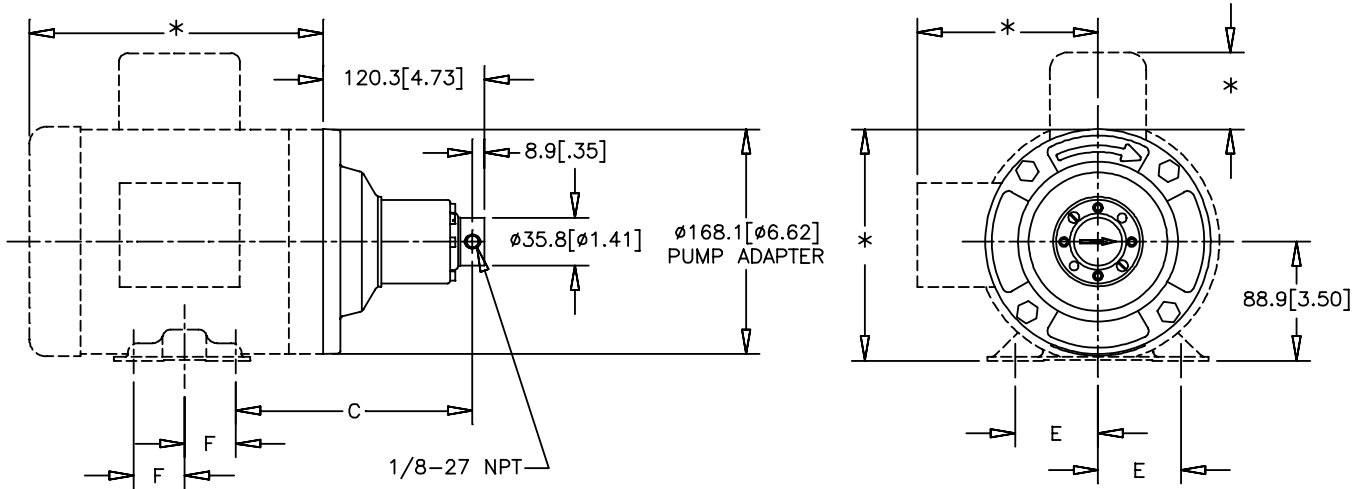
USA: Micropump, Inc., A Unit of IDEX Corporation • Phone 360.253.2008 • Fax 360.253.2401  
 UK: Micropump, Ltd., A Subsidiary of Micropump, Inc. • Phone +44 (1480) 356900 • Fax +44 (1480) 356920  
 info@micropump.com www.micropump.com

GB701 Rev A  
 Dimensions 1  
 Printed 06-Oct-05

<b>Order Code</b>				<b>Pump Construction</b>			
<b>Base Code</b>		<b>Gear Set</b>		<b>Drive Mount</b>		<b>Options</b>	
<b>G</b>	<b>B</b>	-	<b>P35</b>			<b>E</b>	
1	2	3	4	5	6	7	8
Model				Wetted Materials			
				O/C: Pump S/K: Service Kit			
				Magnetic Drive Gear Pump Suction Shoe Style Two or Three Helical Gears/DP25 Stationary Shafts O-Ring Seal (Qty 1)			



## Dimensions



MOUNT	C mm [in]	E mm [in]	F mm [in]
NEMA <sup>E</sup> 56C	176.7 [6.95]	61.9 [2.44]	38.1 [1.50]
NEMA <sup>K</sup> 143TC	171.8 [6.77]	69.9 [2.75]	50.8 [2.00]
NEMA <sup>K</sup> 145TC	171.8 [6.77]	69.9 [2.75]	63.5 [2.50]

### NOTES:

- \*THESE DIMENSIONS WILL VARY BASED ON MOTOR SELECTION.
- ALL DIMENSIONS ARE NOMINAL.

ACTUAL PERFORMANCE MAY VARY - Specifications are subject to change without notice. When multiple specs are noted, the most conservative value applies.

USA: Micropump, Inc., A Unit of IDEX Corporation • Phone 360.253.2008 • Fax 360.253.2401  
 UK: Micropump, Ltd., A Subsidiary of Micropump, Inc. • Phone +44 (1480) 356900 • Fax +44 (1480) 356920  
 info@micropump.com www.micropump.com