



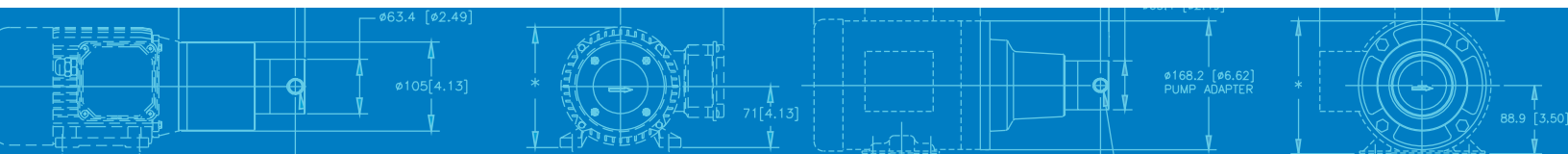
EAGLEDRIVE™ MSE



EAGLEDRIVE™ ELE

# EagleDrive™

The EagleDrive™ is an electromagnetic drive for Micropump Series GA, GB, GJ, GJR, GAF, and CA pumps. This compact, high-performance drive enables our pumps to address a wide range of applications. The EagleDrive™ is an innovative brushless DC motor with no moving parts for outstanding efficiency and reliability. With variable speed operation, a tachometer and error output, and with fwd/rev capabilities, the EagleDrive™ is the right choice for many system designs.



## SMALL PACKAGE

The small package size means the EagleDrive™ is easily integrated into system designs.

## NO MOVING PARTS

Fewer parts to wear means higher reliability and longer life.

## HIGH TORQUE

High Torque offers improved flow rates with continuous duty pressures.

## HIGHER PUMP SPEEDS

Pump speeds up to 8000 RPM resulting in higher flow rates.

## WIDE RANGE OF POWER SUPPLY VOLTAGES

Supported power supply voltages from 10V to 38V eases system integration.

## DIGITAL ERROR OUTPUTS

Digital error outputs enable “check engine light” like diagnostic functionality.

## HIGH TEMPERATURE OPERATION

A maximum ambient temperature limit of 120°C increases the allowed operation envelope.

# EAGLEDRIVE™ PUMP CONFIGURATIONS

## EAGLEDRIVE™ MSE

GA Series



GJR Series



CA Series



GJ Series



## EAGLEDRIVE™ ELE

GB Series



GJ Series

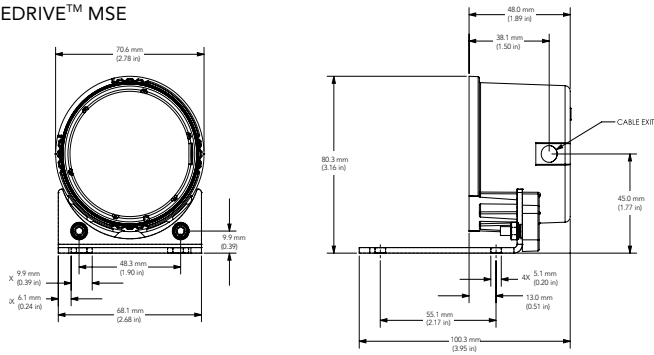


GAF Series

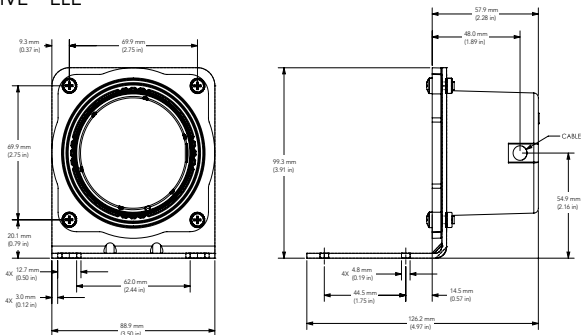


## DIMENSIONS

### EAGLEDRIVE™ MSE



### EAGLEDRIVE™ ELE



\*Units: mm(in). Nominal dimensions shown

## PERFORMANCE SUMMARY

### SELECTABLE FEATURES

- ▶ Fwd-Reverse Selection

### TACHOMETER OUTPUT

- ▶ 2 PPR

### FAULT OUTPUTS

- ▶ Over-Temp, Under-Voltage, or Internal Fault

### POWER SUPPLY

- ▶ 10V to 38V DC

### THERMAL PROTECTION-SAFETY

- ▶ Ambient Temperature: 120°C Max
- ▶ 85°C at Max Power

### SPEED RANGE

- ▶ 36V = 1000 to 8000 rpm
- ▶ 24V = 500 to 5500 rpm
- ▶ 12V = 250 to 2650 rpm

### SPEED AT RATED TORQUE

- ▶ 10 oz-in @ 3750 RPM (24V) (MS)
- ▶ 20 oz-in @ 3750 RPM (24V) (EL)

### CURRENT AT RATED TORQUE

- ▶ 2A @ 10 oz-in (24V) (MS)
- ▶ 2.9A @ 20 oz-in (24V) (EL)

### ENCLOSURE

- ▶ MS Envelope Size (LxW): 2.8 x 1.9 in
- ▶ EL Envelope Size (LxW): 2.8 x 2.3 in
- ▶ MS Weight: < 10.6 oz (< 300 grams)
- ▶ EL Weight: < 17.6 oz (< 500 grams)

### REGULATORY BODY COMPLIANCE

- ▶ RoHS

**MICROPUMP**



Micropump, Inc | A Unit of IDEX Corp. | 1402 NE 136th Avenue • Vancouver, WA 98684

T 800.671.6269 • +1.360.253.2008 | F +1.360.253.8294 | info.micropump@idexcorp.com | www.micropump.com

ACTUAL PERFORMANCE MAY VARY. Specifications are subject to change without notice. ©2013 Micropump, Inc., A Unit of IDEX Corporation. Micropump and the Micropump logo are registered trademarks of Micropump, Inc.

REV. 09/13/13